



RHINO-RACK

Aerodynamic & Heavy Duty Roof Rack Systems

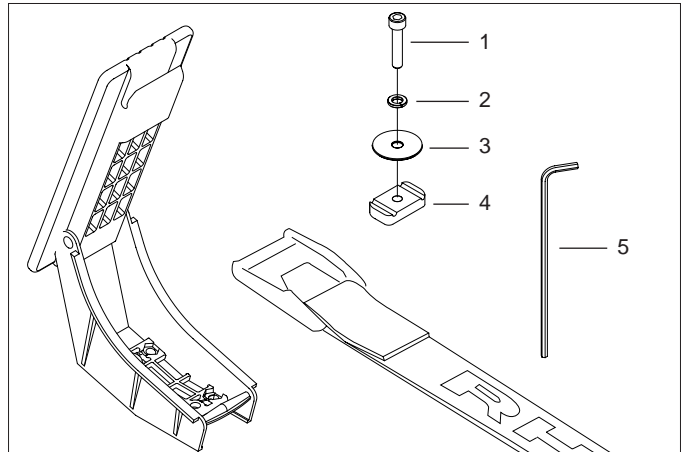
S400-FK3 RHINO Heavy Duty, New ROLA Commercial Bar.

Place these instructions in the vehicle's glove box after installation is complete.

Important: Please read these instructions carefully prior to installation. Please refer to your fitting instruction to ensure that the cross bars are installed in the correct locations. Check the contents of kit before commencing fitment and report any discrepancies.

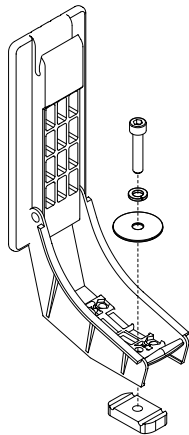
Parts List

Item	Component Name	Qty.	Part No.
1	M6 x 30mm Cap Screw	4	B047
2	M6 Spring Washer	4	W004
3	¼" x 1¼" Flat Washer	4	W029
4	M6 Channel Nut	4	N002
5	5mm Hex Allen Key	1	H002
6	Fitting Instruction	1	RS-274



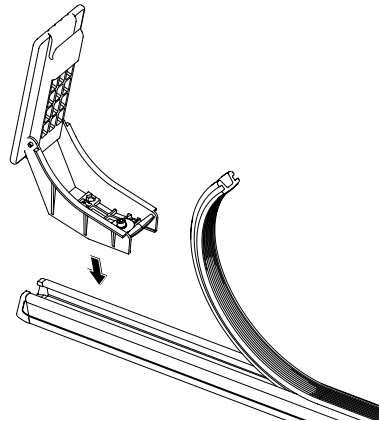
Place the M6 x 30 Cap Screw through the Spring Washer and Flat Washer. Then place through either of the two holes in the plastic base depending on the mounting angle required. Screw into the M6 Channel Nut.

1



2

Position the channel nut and place the carrier onto the cross bar and insert the channel nut down into the cross bar recess.

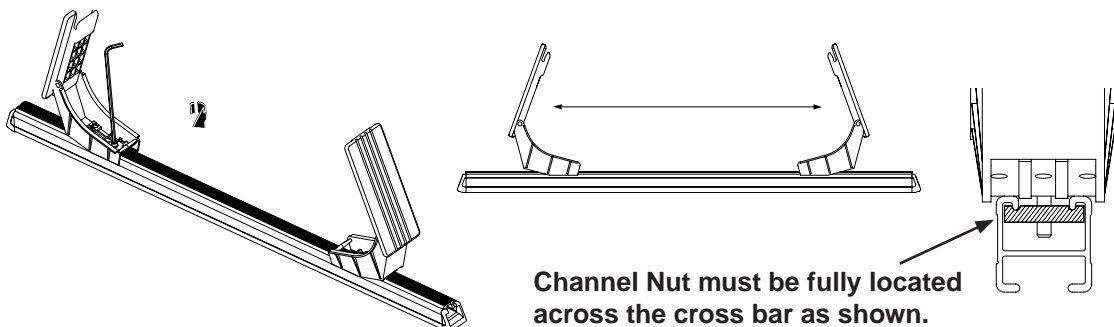


Please Note:

When adjusting the carrier to suit the kayak or canoe and the attachment screw has been undone, check that the channel nut is fully located across the cross bar after re-tightening the M6 screw.

Position the carriers to suit the kayak or canoe. Tighten the M6 screw with the allen key provided ensuring that the channel nut turns to locate fully across the cross bar. **Tighten to 3-4 N/m.** Trim the rubber buffer strip to suit.

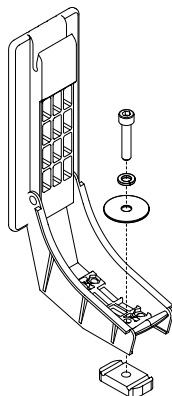
3



ROLA Commercial Bar:

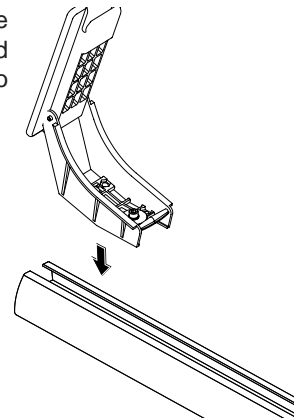
Place the M6 x 30 Cap Screw through the Spring Washer and Flat Washer. Then place through either of the two holes in the plastic base depending on the mounting angle required. Screw into the M6 Channel Nut.

1



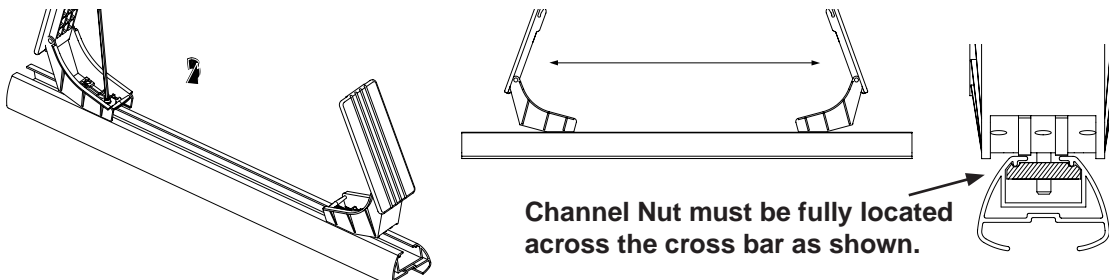
Position the channel nut and place the carrier onto the cross bar and insert the channel nut down into the cross bar recess.

2



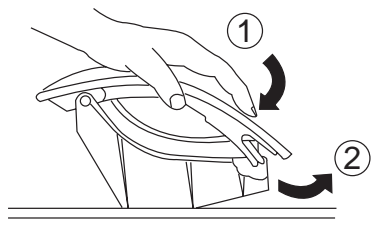
Position the carriers to suit the kayak or canoe. Tighten the M6 screw with the allen key provided ensuring that the channel nut turns to locate fully across the cross bar. **Tighten to 3-4 N/m.** Trim the rubber buffer strip to suit.

3

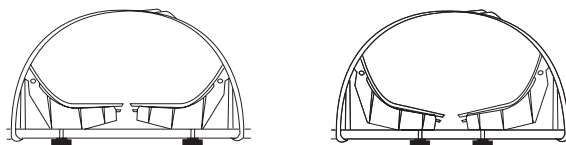


Kayak / Canoe Carrier Loading Instruction

1 Insert the rubber kayak / canoe support pad cut out into the carrier housing locating bar.

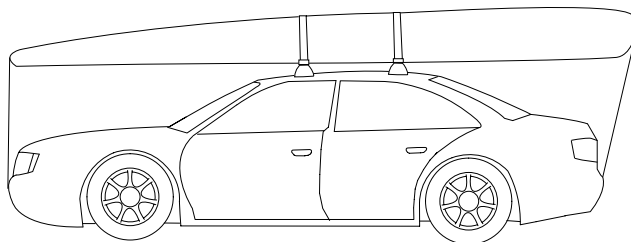


2 Below are the 2 positions in which the carriers can be fitted to suit various kayak / canoe shapes. When using the tie down straps provided please fasten as shown below. After securing the kayak or canoe, check the load for safety.



Long Load Instruction

Long loads must be secured front and rear as shown below.



Please Note:

The maximum permissible roof load must not be exceeded (see vehicle hand book for details of the maximum roof load).

The roof load comprises the weight of the basic rack plus the additional accessory and load itself.

Check that the rack system is securely fitted before each trip and at regular intervals.

Sensitivity to cross winds, behaviour in curves and braking:

The handling of the vehicle changes when transporting a load on the roof. For safety reasons, we recommend you exercise extreme care transporting wind resistant loads.

Rhino-Rack
3 Pike Street, Rydalmere,
NSW 2116, Australia.
(Ph) (02) 9638 4744
(Fax) (02) 9638 4822

Document No: RS-274
Prepared By: Craig Jones
Authorised By: Gary England

Issue No: 02
Issue Date: 24/10/2006

These instructions remain the property of Fetovu Pty Ltd T/as Rhino-Rack and may not be used or changed for any other purpose than intended.