



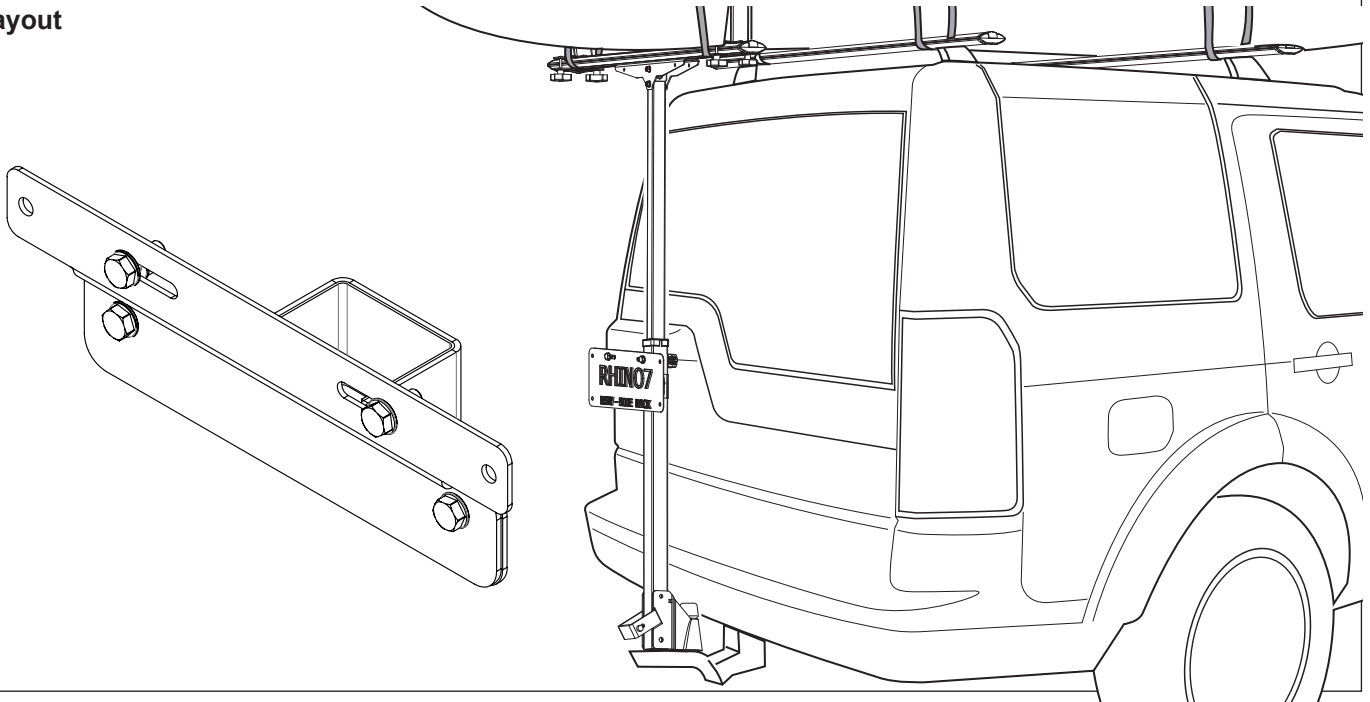
RHINO-RACK

Aerodynamic & Heavy Duty Roof Rack Systems

Rhino-Rack Kayak T-Load Number Plate Holder (RTLNPH)

Important: Please read these instructions carefully prior to installation. Please refer to your fitting instruction to ensure that the roof racks are installed in the correct locations. Check the contents of kit before commencing fitment and report any discrepancies. Place these instructions in the vehicle's glove box after installation is complete.

Layout



Important Information

Maximum carrying capacity:

Please refer to your vehicle manufacturers handbook for maximum carrying capacity of your roof racks. Always use the lower of the two figures. Load must be evenly distributed over the crossbars.

Warning: Do not attempt to fit the RTLNPH to your vehicle unless you fully understand this fitting instructions. Please direct any questions regarding fitting to the dealer from where the RTLNPH was purchased.

Use only non-stretch fastening ropes or straps.

Recommendations:

It is essential that all bolt connections be checked after driving a short distance when you first install your RTLNPH. Bolt connections should be checked again at regular intervals (once a week is enough, depending on road conditions, usage, loads and distances travelled). You should also check the RTLNPH each time they are re-fitted. Always make sure to fasten your load securely. Please also ensure that all loads are evenly distributed and that the centre of gravity is kept as low as possible. Long loads (e.g. canoes and kayaks) must be secured front and rear with non-stretch fastening ropes or straps.

Roof racks must be removed when putting vehicle through an automatic car wash.

Caution: The handling characteristics of the vehicle changes when you transport a load on the roof. For safety reasons we recommend you exercise extreme care when transporting wind-resistant loads. Special consideration must be taken into account when cornering and braking.

Note for Dealers and Fitters:

It is your responsibility to ensure these fitting instructions are given to the end user or client.

Rhino-Rack
3 Pike Street, Rydalmere,
NSW 2116, Australia.
(Ph) (02) 9638 4744
(Fax) (02) 9638 4822

Document No: R108
Prepared By: Andy Wana
Authorised By: Chris Murty

Issue No: 01
Issue Date: 07/07/2011

These instructions remain the property of Rhino-Rack Australia Pty Ltd and may not be used or changed for any other purpose than intended.



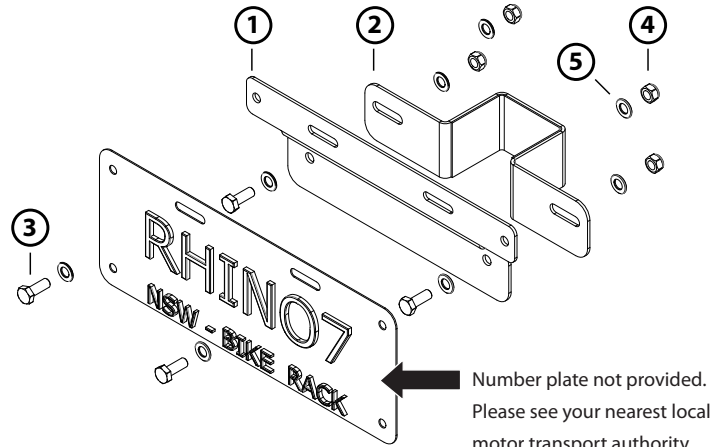
Rhino-Rack Kayak T-Load Number Plate Holder (RTLNPH)

Parts List

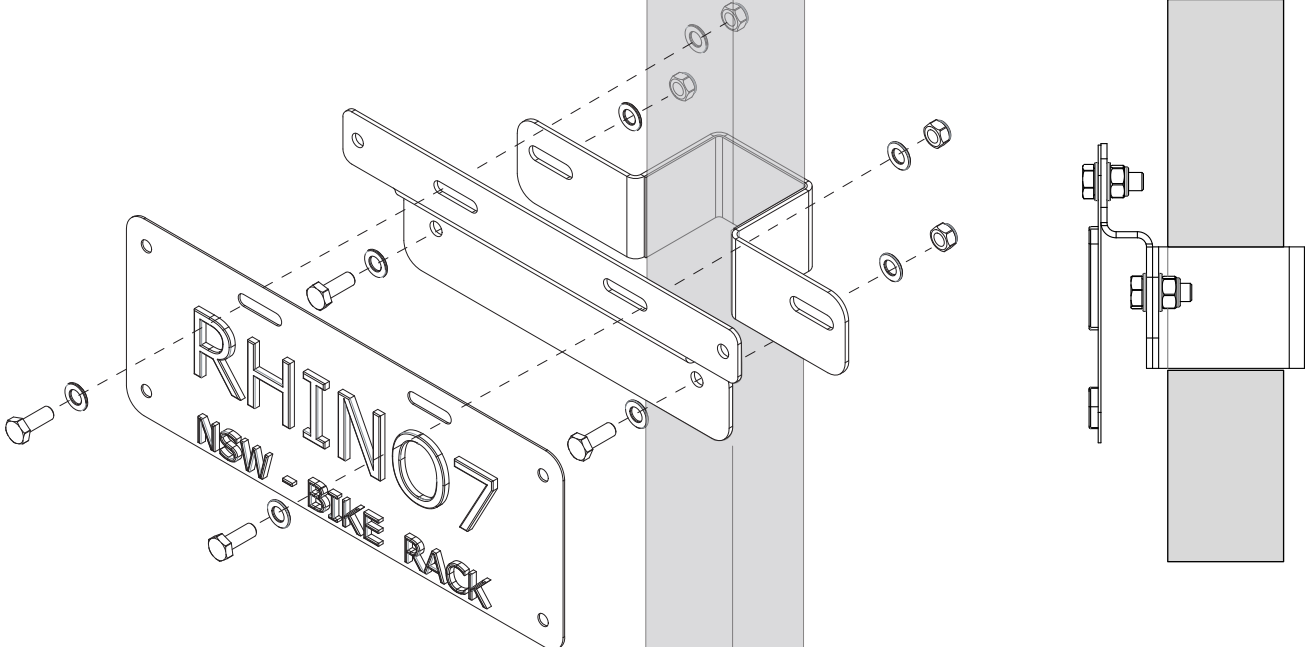
Item	Component Name	Qty
1	Number Plate Bracket	1
2	Number Plate Holder	1
3	M6 Hex Bolt	4
4	M6 Nut	4
5	M6 Flat Washer	8
6	Fitting Instruction	1

Tools needed:

Spanner



1



2

