



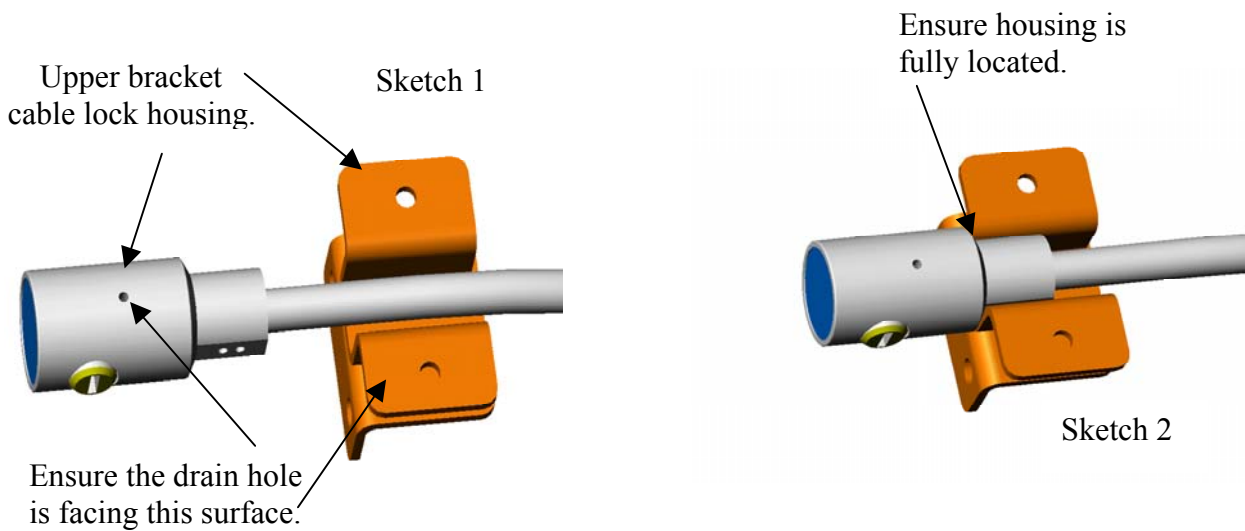
FITTING INSTRUCTION: - CABLE LOCK ATTACHMENT FOR LADDER RAIL RLLR.

YOUR RHINO - RACK ACCESSORY IS DESIGNED AND MANUFACTURED IN AUSTRALIA, FOR USE ON RHINO – RACK SYSTEMS.

This Fitting Instruction is for the assembly and fitment of the cable lock and bracket assembly.

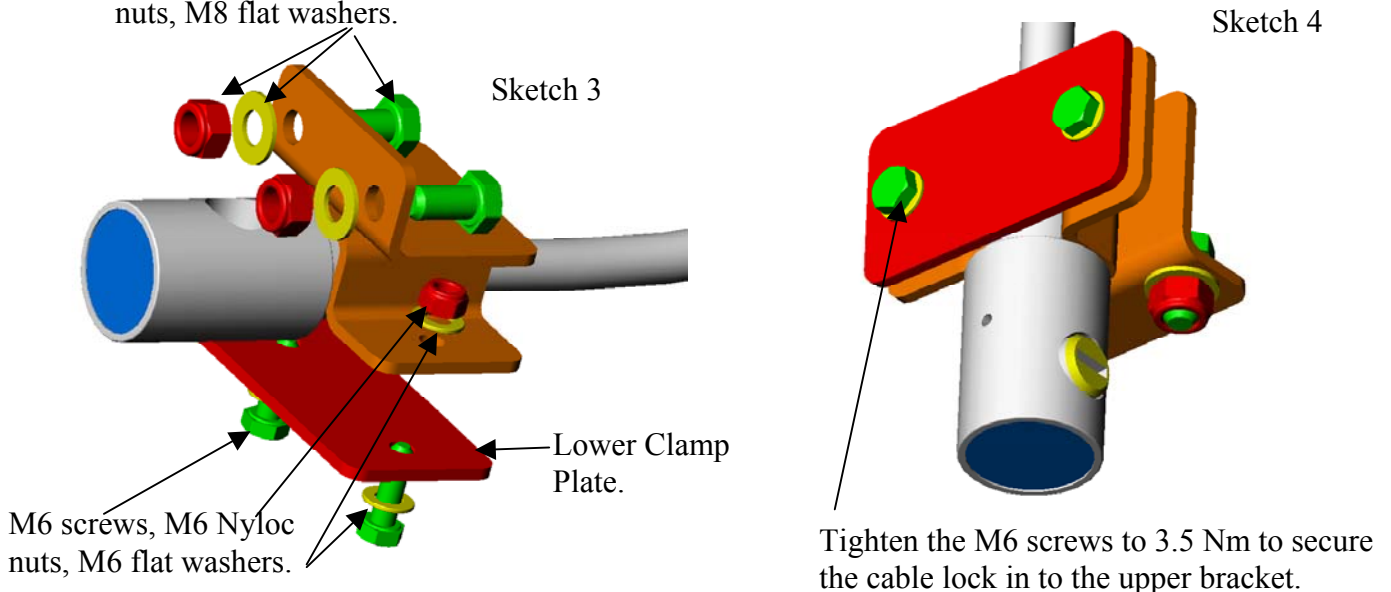
(1) Fitting Cable Lock to Upper Bracket.

Unlock the cable lock, align the flats on the cable lock housing with the flats on upper bracket and insert the cable lock into the upper bracket. Ensure the cable lock housing is fully located into the bracket. (Refer Sketch 1 & 2).



(1) Assemble all Screws, Bolts, Washers and Lower Clamp Plate as per Sketch 3 & 4

M8 screws, M8 Nyloc nuts, M8 flat washers.

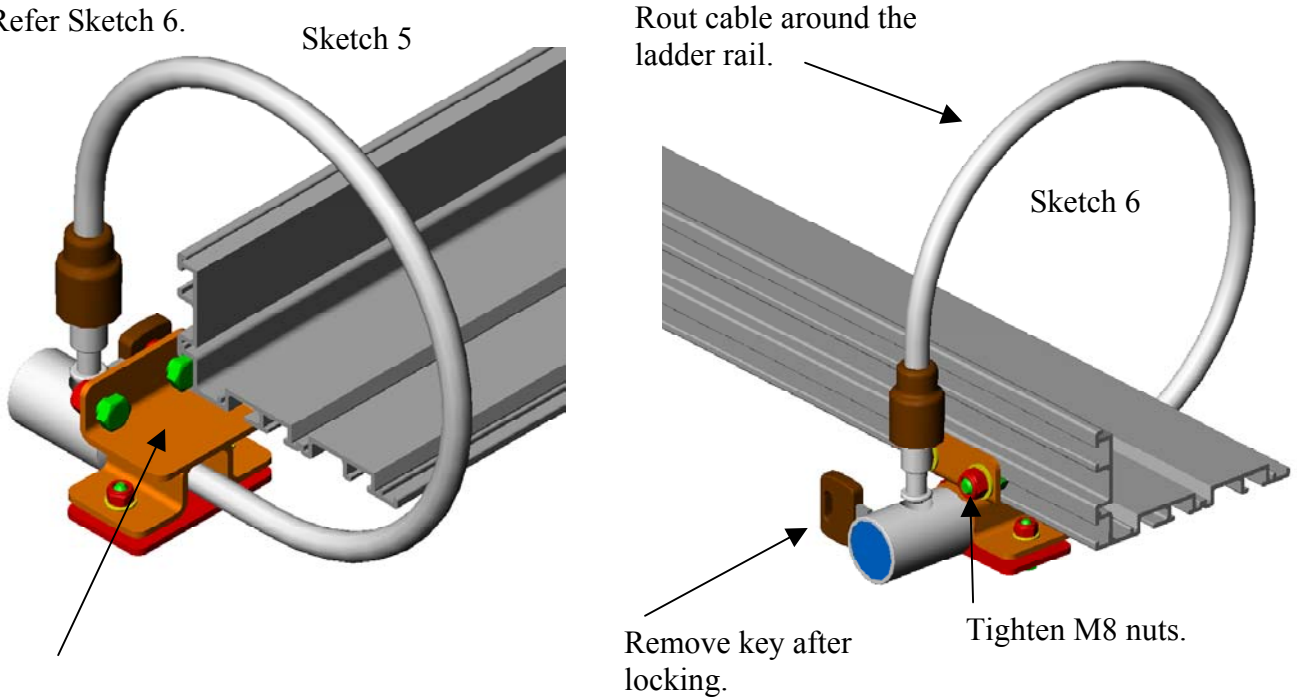


(2) Assemble the Cable Lock and Bracket Assembly on to the Ladder Rail

Engage both M8 screw heads into the ladder rail lower T slot and slide the cable and bracket assembly into position along the rail. Refer Sketch 5.

Tighten the M8 Nyloc nuts to 8Nm to secure the bracket. Rout the cable lock cable around the ladder rail.

Refer Sketch 6.



RECOMMENDATIONS

Please refer to your fitting instruction to ensure that the cable lock is installed correctly.

Please Note

Rhino-Rack offers a 3 Year warranty to the original purchaser of the Rhino-Rack Systems and Accessories. Rhino-Rack cannot be held responsible for incorrect mounting of Roof Rack Accessories or for usage that exceeds production tolerances. Make sure to fasten the load securely.

PLEASE REMOVE ROOF RACKS AND ACCESSORIES WHEN PUTTING VEHICLE THROUGH AUTOMATIC CAR WASH.

**Manufactured by Rhino-Rack
17 Euston Street, Rydalmere,
NSW 2116, Australia
(Ph) 02 9638 4744 (Fax) 02 9638 4822**

RHINO- RACK	No: RR01
Prepared By: Alan Marshall	Issue No 01
Authorised By Gary England	Issue Date: 17/01/01