



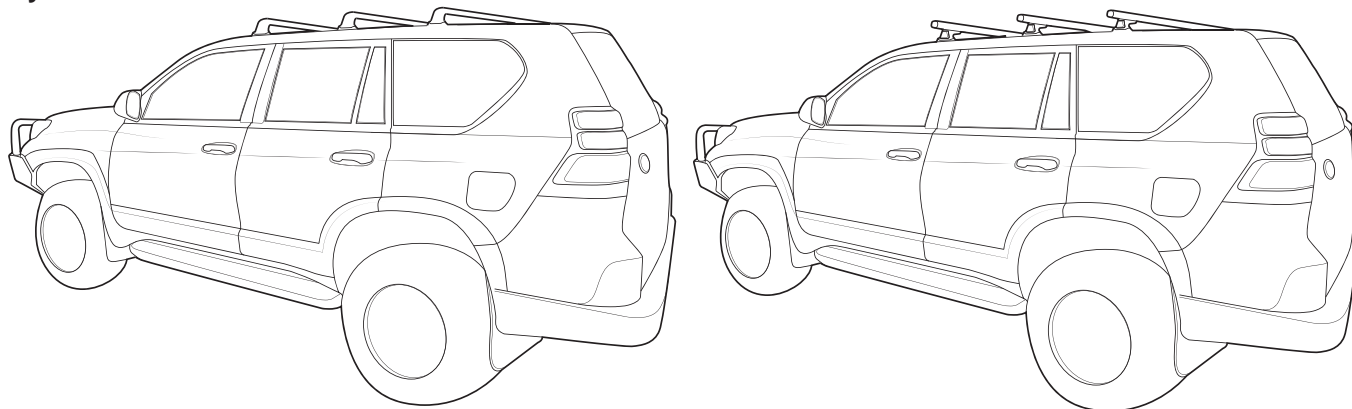
**CONTROLLED**

# RHINO-RACK

## RCP23-BK Toyota Prado Pad Kit

**Important:** Please read these instructions carefully prior to installation.  
Please refer to your fitting instruction to ensure that the roof racks are installed in the correct locations.  
Check the contents of kit before commencing fitment and report any discrepancies.

### Layout



**Note:** Crossbars and legs sold as separate.

### Important Information

1.  Check Part No./Kit is correct
2.  Read through instruction before installing
3.  Fit roof rack accessory
4.  Check and recheck all fasteners are secure

**Maximum carrying capacity : 100kg evenly distributed over the three (3) cross bars. Note: Be sure to check the Rhino-Rack website to see if you have the latest version of instructions before beginning.**

#### Recommendations:

It is essential that all bolt connections be checked after driving a short distance when you first install your cross bars. Bolt connections should be checked again at regular intervals (probably once a week is enough, depending on road conditions, usage, loads and distances travelled). You should also check the cross bars each time they are refitted. Make sure to fasten your load securely. Please ensure that all loads are evenly distributed and that the centre of gravity is kept as low as possible.

**Please remove roof racks when putting vehicle through an automatic car wash.**

**Use only non-stretch fastening ropes or straps.**

#### Sensitivity to cross winds, behaviour in curves and braking:

The handling characteristics of the vehicle, changes when you transport a load on the roof. For safety reasons, we recommend you exercise extreme care when transporting wind-resisting loads; special consideration must be taken into account when braking.

**Please remove cross bars when putting vehicle through an automatic car wash.**

#### Load rating:

Maximum permissible load is 100kg on 3 cross bars (include the weight of the roof racks, 7.5kg). When cross bars are to be used in off-road conditions, please build a safety factor of 1.5 into this load limit. (66kg for off-road use). Although the roof racks are tested and approved to AS1235-2000, Australian road conditions can be much more rigorous. However, increasing the number of cross bars does not increase the vehicles maximum permissible roof loading.

#### Note for Dealers and Fitters:

It is your responsibility to ensure instructions are given to the end user or client

Rhino-Rack  
3 Pike Street, Rydalmere,  
NSW 2116, Australia.  
(Ph) (02) 9638 4744  
(Fax) (02) 9638 4822

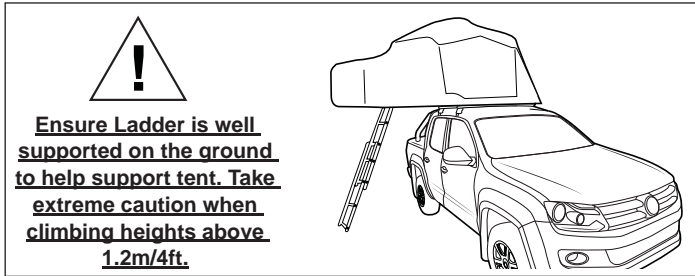
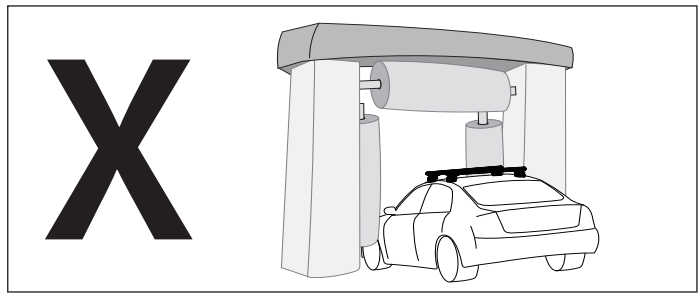
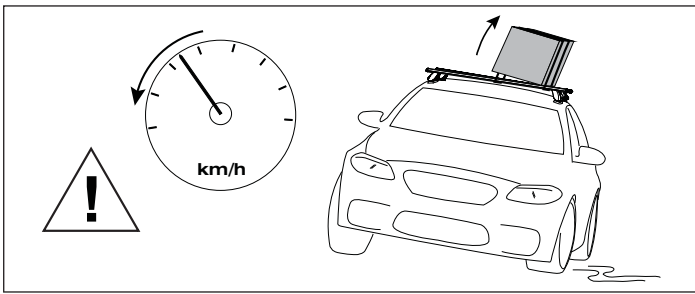
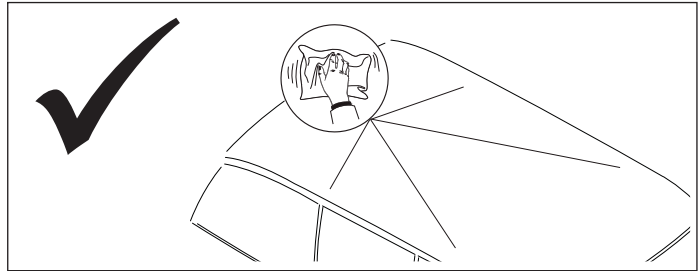
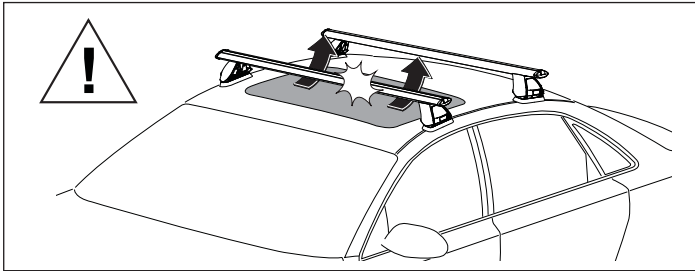
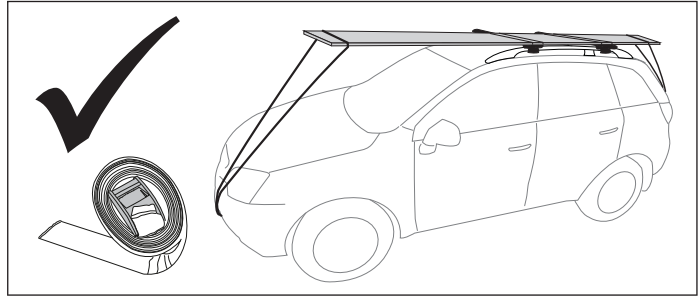
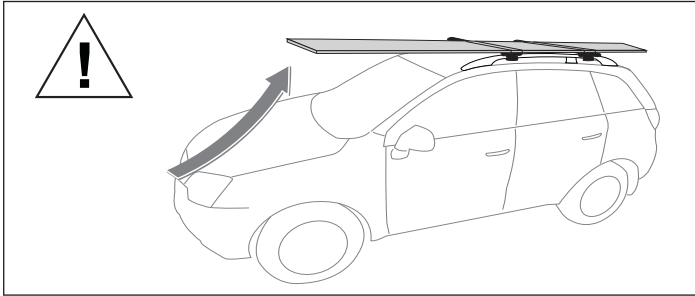
Document No: R1325  
Prepared By: Kayle Everett  
Authorised By: Chris Murty

Fit Time: 30 min  
Issue No: 01  
Issue Date: 10/04/2017

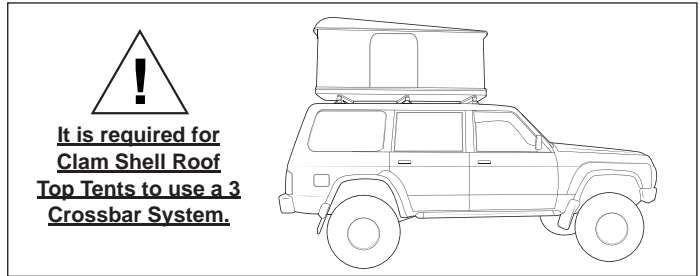
These instructions remain the property of Rhino-Rack Australia Pty Ltd and may not be used or changed for any other purpose than intended.



# RCP23-BK Toyota Prado Pad Kit

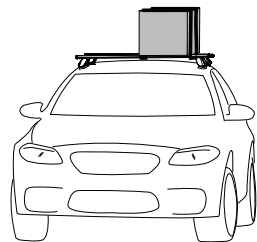


**Ensure Ladder is well supported on the ground to help support tent. Take extreme caution when climbing heights above 1.2m/4ft.**

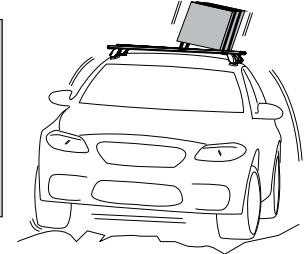


**It is required for Clam Shell Roof Top Tents to use a 3 Crossbar System.**

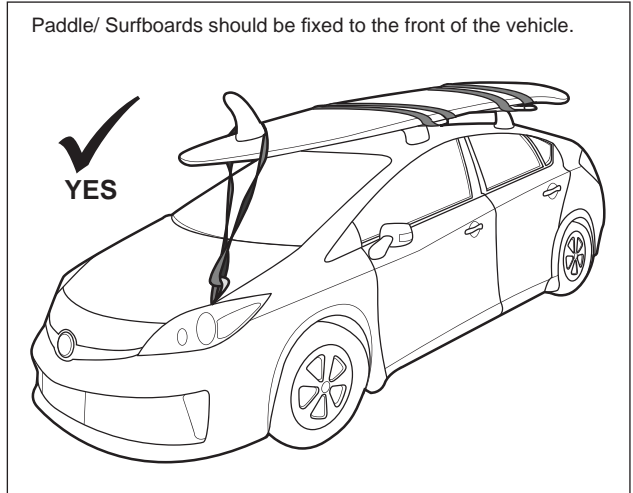
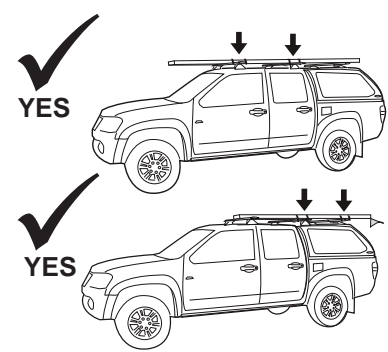
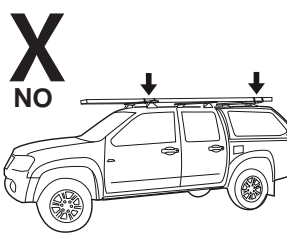
When these roof racks are to be used on a vehicle that is driven off sealed roads the maximum load rating must be divided by 1.5. Remember to subtract the weight of the roof racks to determine your maximum permissible load capacity.



**2-3 bars 100kg (220lbs) load rating (Urban road) = 2-3 bars 66kg (145lbs) load rating (Off road)**  
**Load rating not taking into account crossbar weight - 5kg**



**WARNING! Important Load Carrying Instructions**  
With utility vehicles, the cabin and the canopy move independently. Roof racks and vehicle can be damaged if the item transported is rigidly fixed at points on both the cabin and canopy. Instead, rigidly fix to either the cabin roof racks or the canopy roof racks.



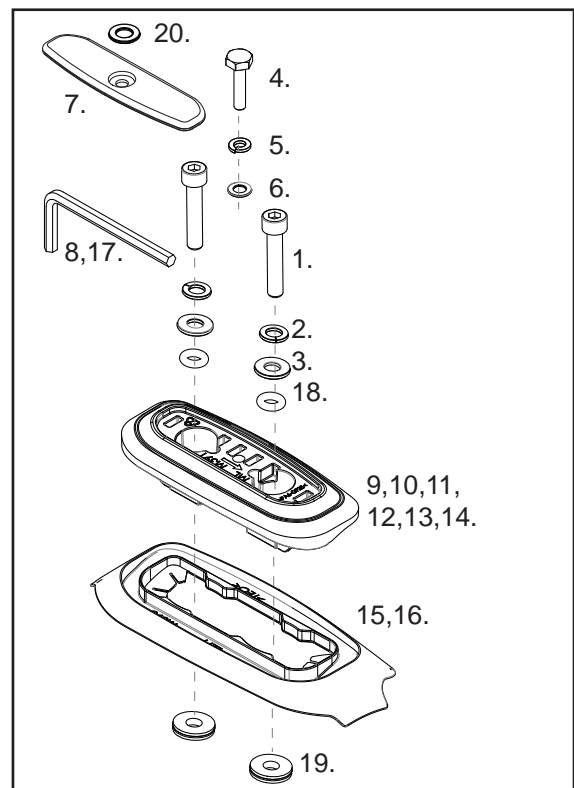
Paddle/ Surfboards should be fixed to the front of the vehicle.



# RCP23-BK Toyota Prado Pad Kit

## Parts List

Item	Component	F	M	R	3 Bar	Part No.
1	M8 x 40mm Socket Screw	4	4	4	12	B162
2	M8 Spring Washer	4	4	4	12	W019
3	M8 Flat Washer	4	4	4	12	W043
4	M6 x 30mm Hex Setscrew	2	2	2	6	B202
5	M6 Spring Washer	2	2	2	6	W004
6	M6 x 16mm Flat Washer	2	2	2	6	W031
7	Cover Plate	2	2	2	6	M126
8	5mm Allen Key	1	1	1	1	H021
9	Front Left Mount Pad	1	-	-	1	M389
10	Front Right Mount Pad	1	-	-	1	M390
11	Middle Left Mount Pad	-	1	-	1	M391
12	Middle Right Mount Pad	-	1	-	1	M392
13	Rear Left Mount Pad	-	-	1	1	M393
14	Rear Right Mount Pad	-	-	1	1	M394
15	Left Pad Mount Skirt	1	1	1	3	M395
16	Right Pad Mount Skirt	1	1	1	3	M396
17	6mm Allen Key	1	1	1	1	H009
18	O-Ring	4	4	4	12	C299
19	Sealing Plate	2	2	2	6	C588
20	M6 Washer (used on cover plate)	2	2	2	6	W003
21	Fitting Instruction	1	1	1	1	R1325



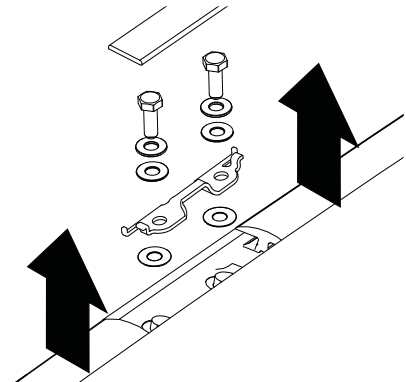
Tools Required:  
5mm/6mm security allen key. 10, 13mm socket wrench. Flat blade screw driver.

## Instructions

**1**

Remove the roof trim covers with a flat blade screwdriver carefully. Remove all brackets, bolts and washers using a 13mm socket. Store the covers and attachment hardware for future use if needed.

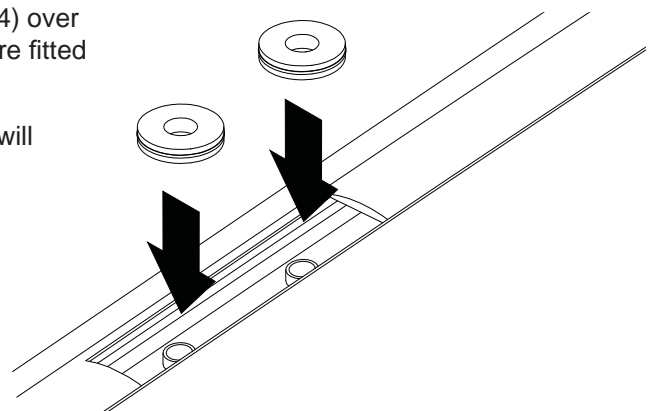
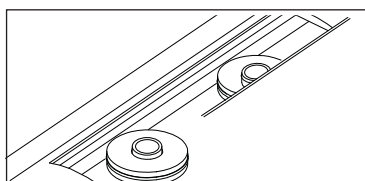
NOTE: The existing bolts and washers are not used to fit the roof rack mounting pads.



**2**

Place the foam covered mounting pad washers (item 24) over the plastic tubes in the roof channel. Make sure they are fitted neatly around the plastic tubes.

NOTE: Failure to fit the foam covered copper washers will result in water leaks.





# RCP23-BK Toyota Prado Pad Kit

**3**

Match the appropriate rubber skirts (item 22 and 23) with the mounting pads

Item 22 - Left Pad Mount Skirt

FL = Front Left (M389)

ML = Middle Left (M391)

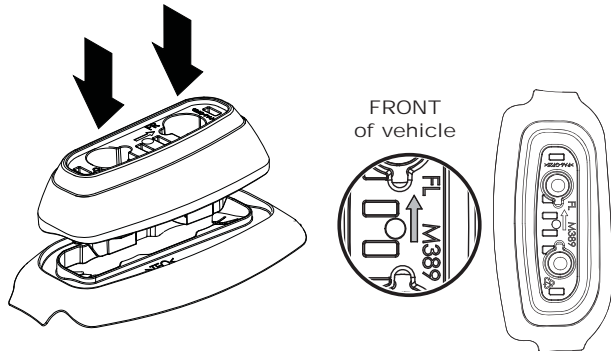
RL = Rear Left (M393)

Item 23 - Right Pad Mount Skirt

FR = Front Right (M390)

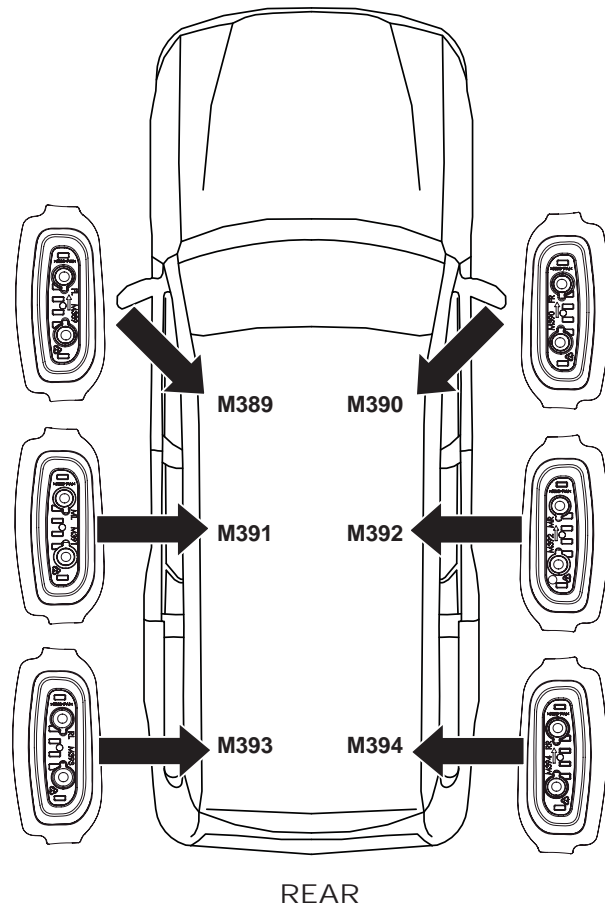
MR = Middle Right (M392)

RR = Rear Right (M394)



Arrows on top of parts must point towards FRONT of vehicle when correctly installed.

FRONT  
(Top view of vehicle)

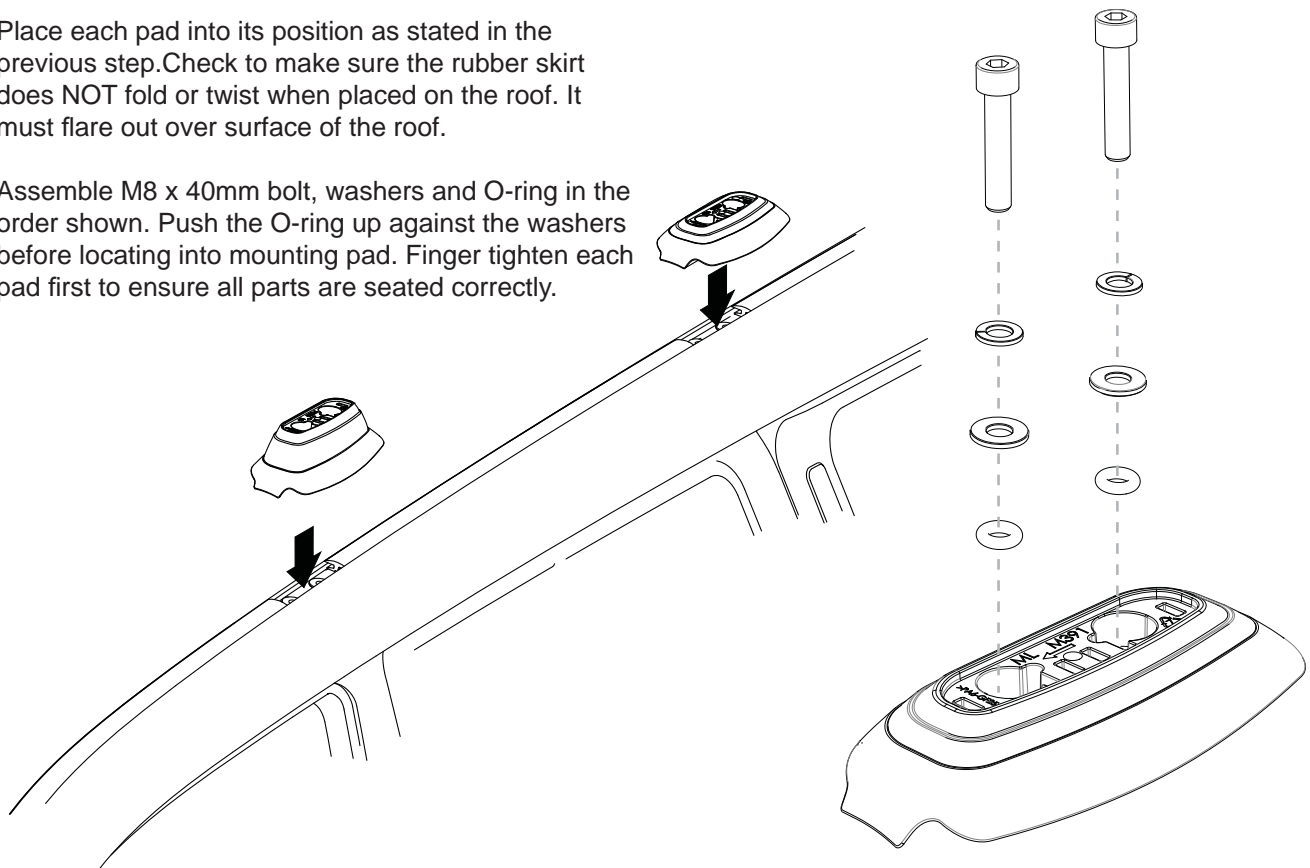


REAR

**4**

Place each pad into its position as stated in the previous step. Check to make sure the rubber skirt does NOT fold or twist when placed on the roof. It must flare out over surface of the roof.

Assemble M8 x 40mm bolt, washers and O-ring in the order shown. Push the O-ring up against the washers before locating into mounting pad. Finger tighten each pad first to ensure all parts are seated correctly.





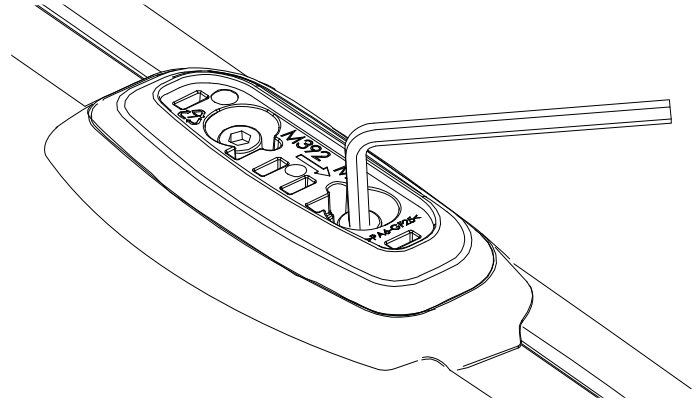
## RCP23-BK Toyota Prado Pad Kit

**5**

Tighten all M8 bolts using the 6mm allen key supplied.

Recommended tightening torque 9-10 Nm.  
DO NOT OVER TIGHTEN.

Fit crossbars as per corresponding instructions and using the M6 x 27mm screws included.



**6**

When crossbars are not in use, remove and install the cover plates provided. Use the M6 x 30mm hex setscrew within this kit.

