



RHINO-RACK

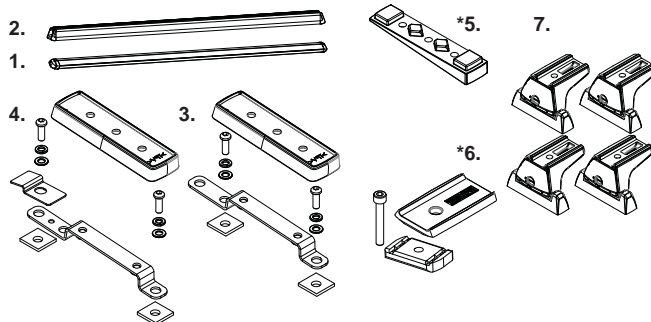
Isuzu DMAX QMFK12, QMFK13 Fitment

Important: Please read these instructions carefully prior to and during installation.
Check the contents of kit before commencing fitment and report any discrepancies.

Parts List

Item	Components	VA Qty	HD	Part No.
1	Vortex Crossbar	2	-	VA126S/B
2	Heavy Duty Crossbars	-	2	RB1250S/B
3	Quick Mount Roof Ditch Bracket	1	1	QMFK12
4	Quick Mount Roof Ditch Bracket	1	1	QMFK13
*5	Quick Mount Base Wedge 10mm	1	1	QMW10
*6	Quick Mount HD Spacer 5mm	-	2	QMHD05
7	Leg and Base Kit	1	1	RLT600
8	Fitting Instructions	1	1	R1442

* For use with Crossbars or Pioneer Tray.



Note:

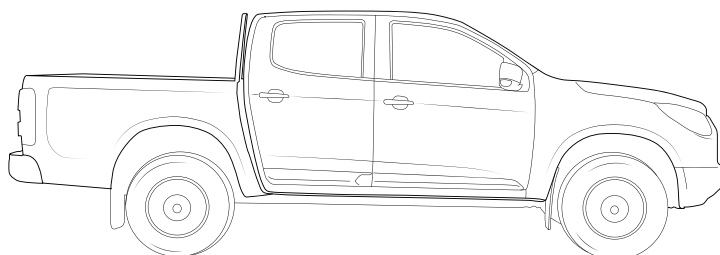
All parts are sold as separate. Ensure you have the required kits to complete your fitment.

Tools Required:

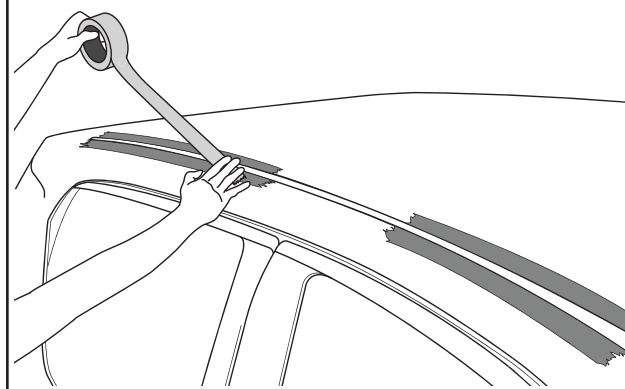
- Masking tape
- Pneumatic Rivet Gun
- Cotton buds
- Cutters
- Marking Pen
- Tape measure
- Chisel or flat blade screwdriver.

Instructions

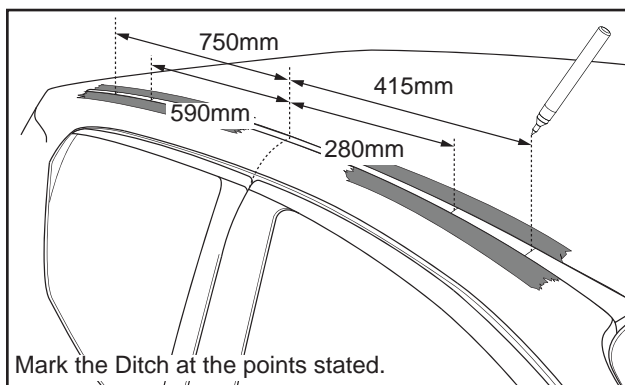
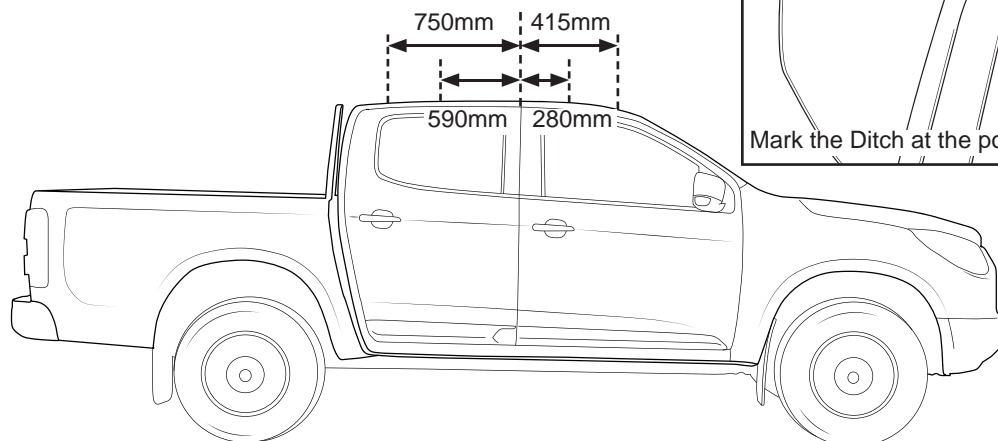
1 Apply Masking Tape on either side of the Ditch Mould on both sides of the vehicle. This will protect the paint work during installation.



Apply Masking Tape to the approximate working area.



2 Starting from the Door Jamb of the vehicle, measure out the references below. With a Marker, indicate these points onto the Mould.

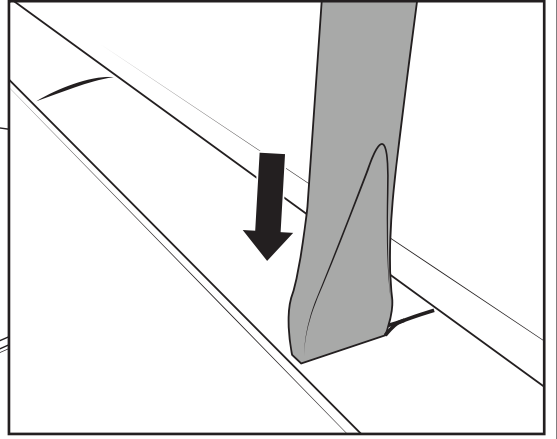
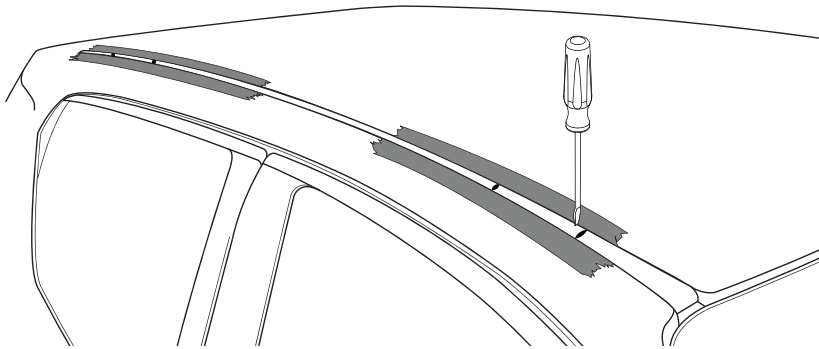


Mark the Ditch at the points stated.

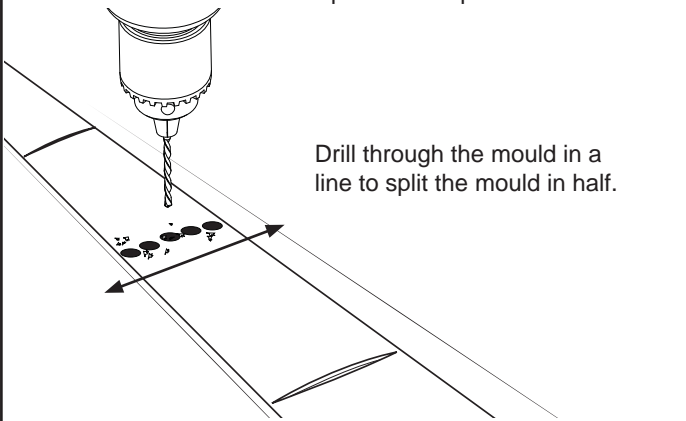


Isuzu DMAX QMFK12,QMFK13 Fitment

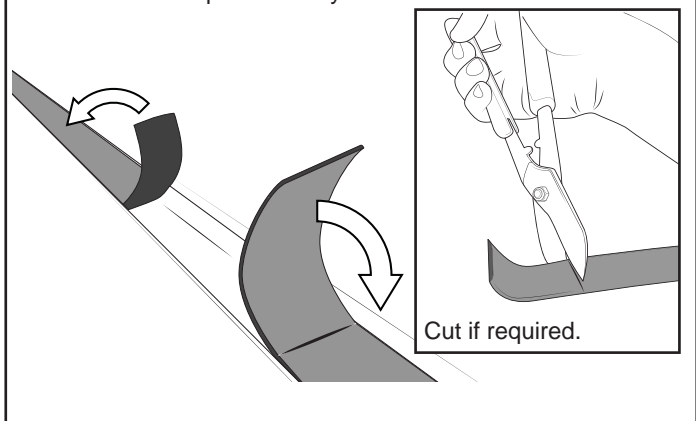
- 3** Using a flat blade screwdriver or chisel, strike partly through the rubber ditch mould along the marks made previous.



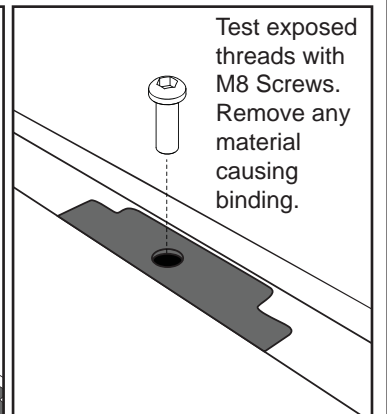
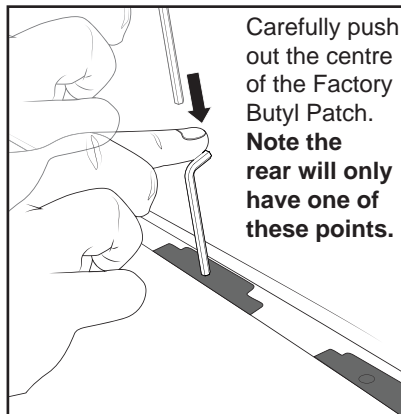
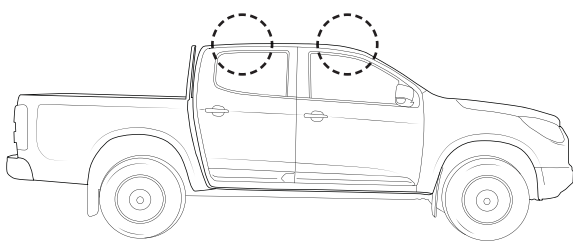
- 4** Drill through the ditch mould, centred between the two references struck in the previous step.



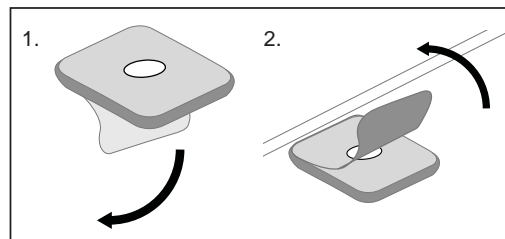
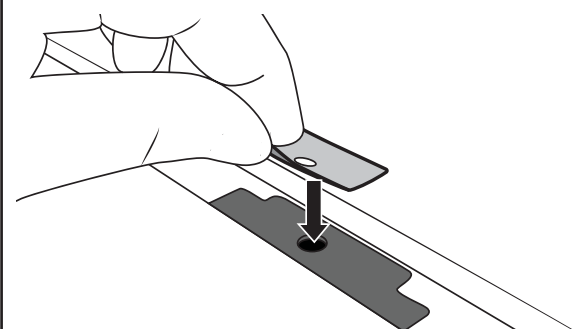
- 5** Flex the mould back and forth along the references made in step 3 until they break and can be removed.



- 6** Locate the eight Factory Mount Points in the Ditch, these will be covered by painted Butyl Patches. Using the Allen Key or similar, carefully push through the Patches and expose the threads below. Remove any material within. Using an M8 Socket Screw, test all exposed threads for binding. Clean threads if required.



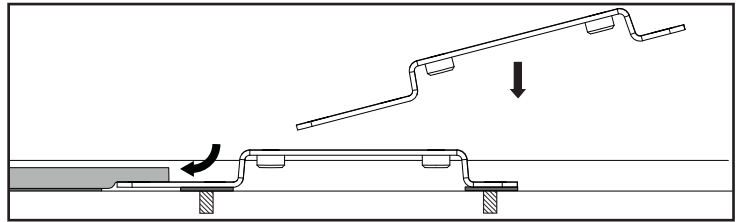
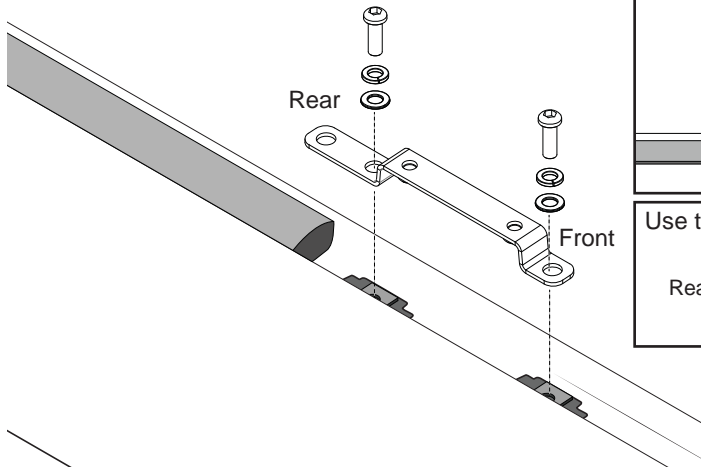
- 7** Remove one side of protective tape from the Butyl Patches provided. Place carefully over the exposed threads. Remove the top layer of protective tape from the installed Patches.





Isuzu DMAX QMFK12,QMFK13 Fitment

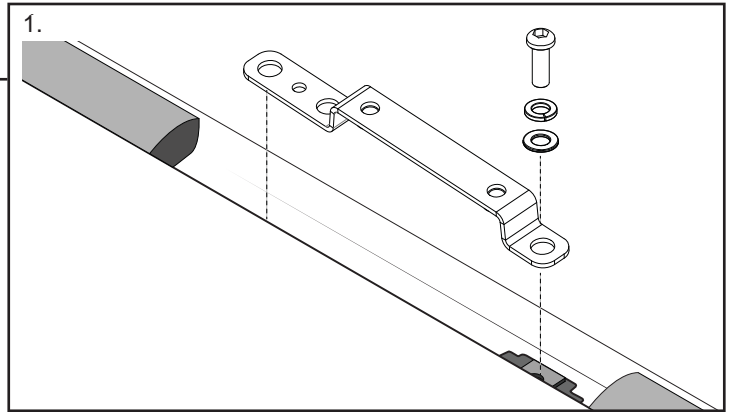
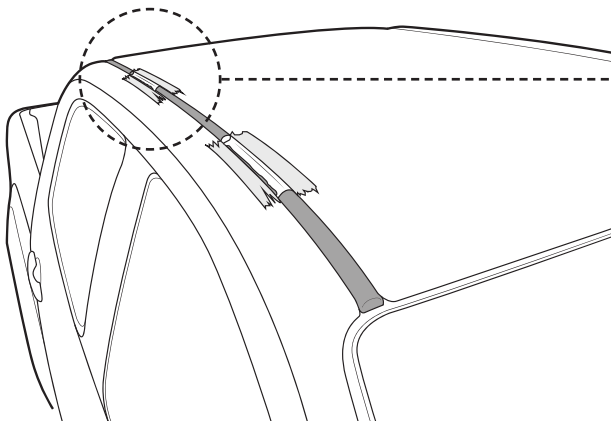
8 Place Brackets at the front Mount Points on both sides. Be aware of the correct orientation on the Bracket. The Longer foot of the Bracket must slide under the Ditch Mould as shown to line up with the threads in the roof. Install the Bracket with the M8 Hardware provided.



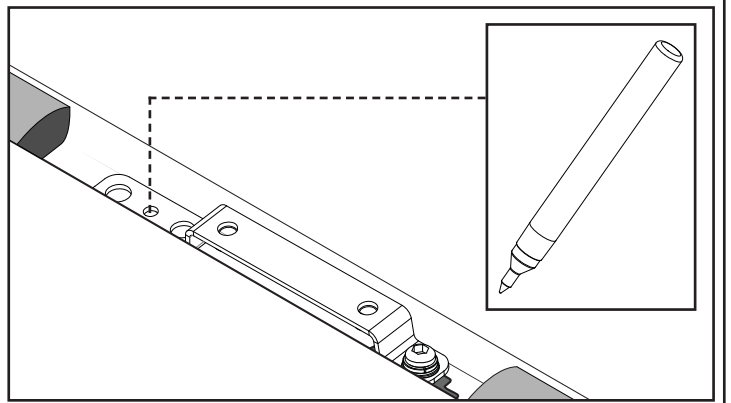
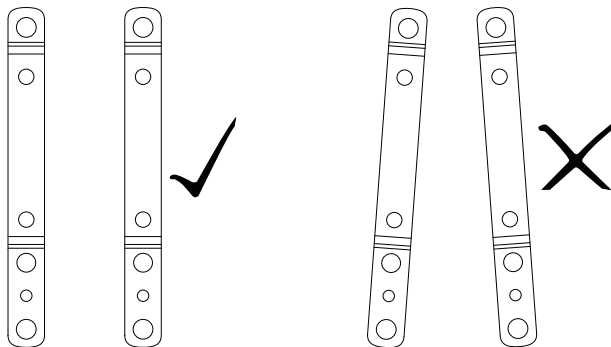
Use the Front and Middle M8 Holes.



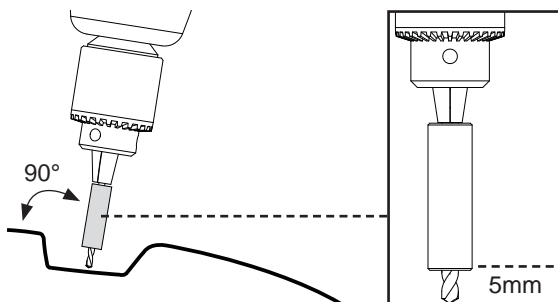
9 The Rear Bracket must be riveted into place. 1: Screw the front of the Bracket into place as shown. 2: Align the Brackets and create a reference in the Rivet Hole on the Bracket. 3: Drill the reference as shown.



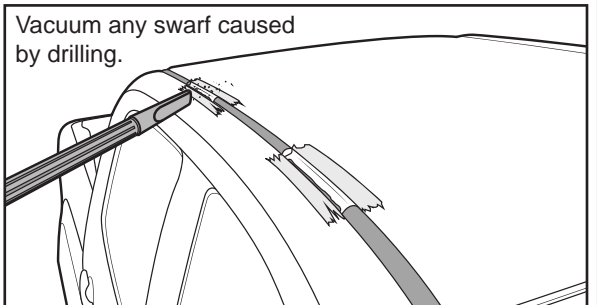
2. Be sure Brackets are aligned. Use a Marker to create a reference point in the Rivet Holes of the Brackets.



3: Remove the Rear Brackets. Using a **5mm Drill Bit**, drill out the two references made previous. A Drill Stop must be used to prevent drilling through the Hood Lining and Airbags on the inside. **Set the Drill Stop to 5mm. Make sure that when drilling you hold the drill perpendicular to the roof angle.** The roof skin is approx. 2-3mm thick.



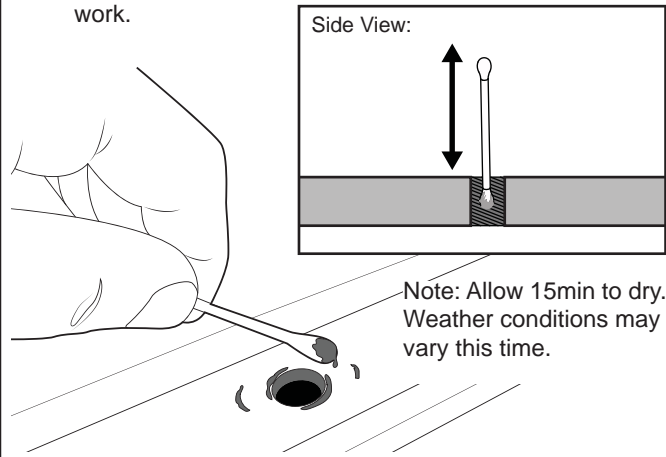
Note:
Rhino Drill Stop (RDS)
Sold Separately



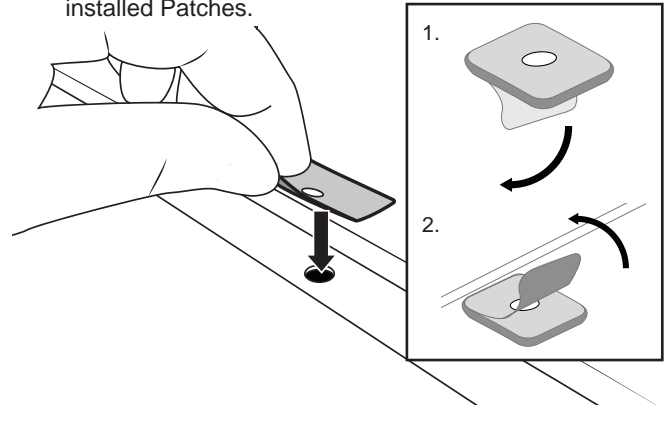


Isuzu DMAX QMFK12,QMFK13 Fitment

10 Remove the Masking Tape. Using Cold Galvanising Paint, cover all drilled areas and any exposed body work.

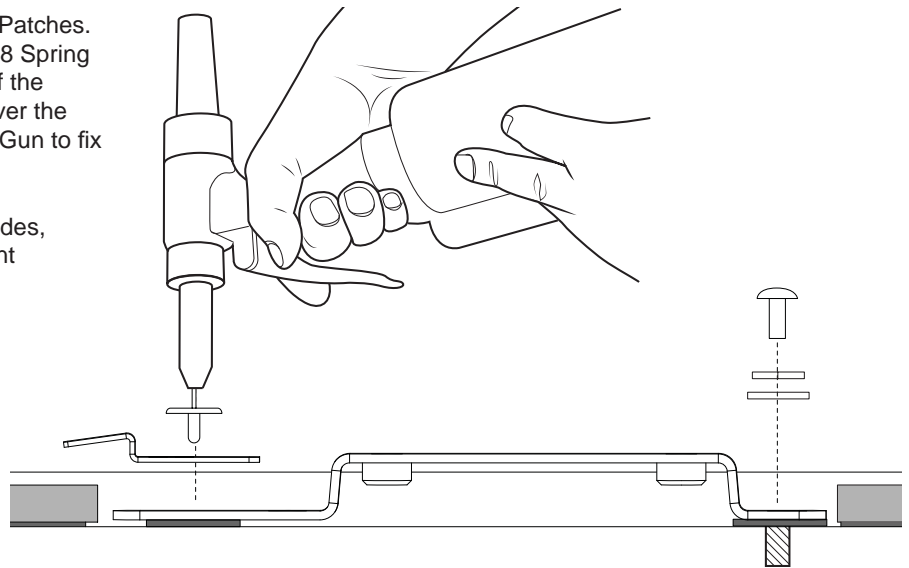


11 Remove one side of protective tape from the Butyl Patches provided. Place carefully over the drilled holes. Remove the top layer of protective tape from the installed Patches.



12 Place the Rear Bracket onto the Butyl Patches. Screw the M8 Security Head Screw, M8 Spring and Flat Washer in place at the front of the Bracket. Place the Bracket End Cap over the Rivet Hole in the Bracket. Use a Rivet Gun to fix the Assembly in place.

Note: Once this is complete for both sides, move back to step 5,6 to install the front Bracket.



13 Install leg kits as per corresponding instructions.

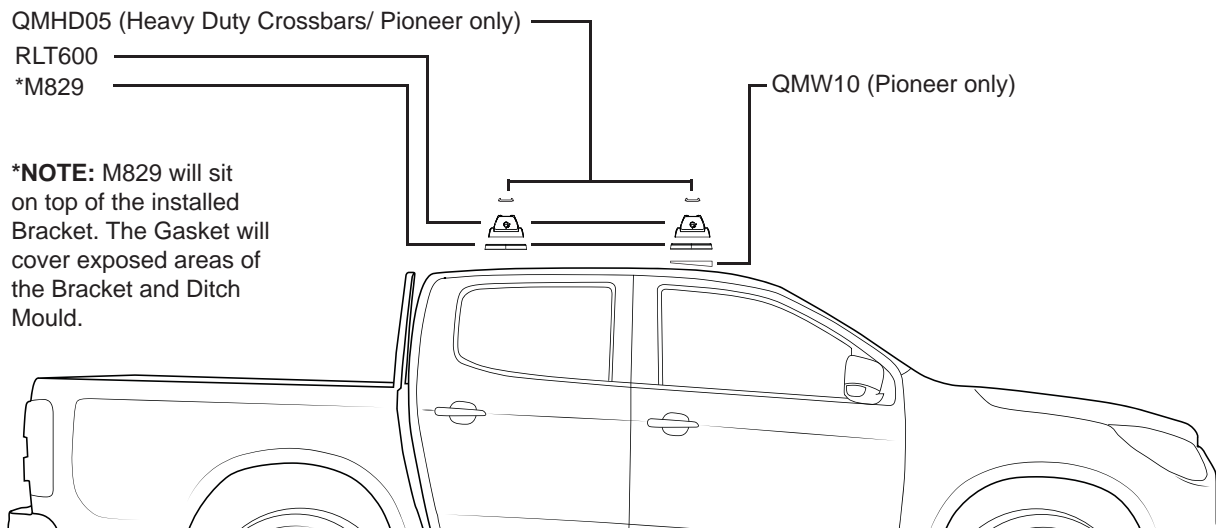
QMHD05 (Heavy Duty Crossbars/ Pioneer only)

RLT600

*M829

QMW10 (Pioneer only)

***NOTE:** M829 will sit on top of the installed Bracket. The Gasket will cover exposed areas of the Bracket and Ditch Mould.



Rhino-Rack
3 Pike Street, Rydalmere,
NSW 2116, Australia.
(Ph) (02) 9638 4744
(Fax) (02) 9638 4822

Document No: R1442
Prepared By: Kayle Everett
Authorised By: Chris Murty

Fit Time: 1 Hour
Issue No: 01
Issue Date: 26/07/17

These instructions remain the property of Rhino-Rack Australia Pty. Ltd. and may not be used or changed for any other purpose than intended.