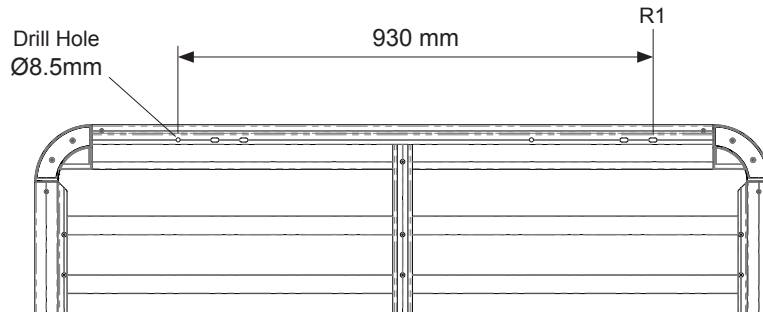


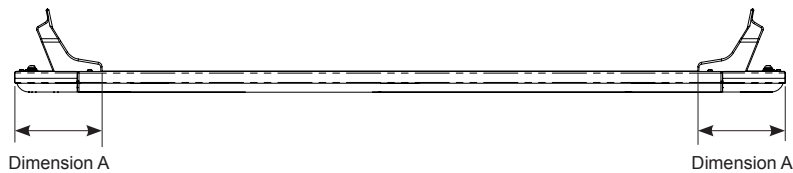


Fitting Chart - TOYOTA Tarago/Estima 4dr Van

PIONEER 41100 (1528 x 1236mm) (5' 5/32" x 4' 21/32")
PIONEER 42100B (1528 x 1236mm) (5' 5/32" x 4' 21/32")
PIONEER 45100B (1528 x 1236mm) (5' 5/32" x 4' 21/32")



Front of Tray



Front Crossbar			Rear Crossbar			Approx. Overall Vehicle Height
Front Slot	Dim. A	Leg Height Spacer	Rear Slot	Dim. A	Leg Height Spacer	
Drill Hole Ø8.5mm	185mm	QMW05 QMHD05	R2	205mm	QMW05 QMHD10	1870 mm

Country	Vehicle	Running Date	Vehicle Load Rating (kg / lbs)	Fit Kit
Australia & NZ	TOYOTA Tarago/Estima 4dr Van	07/00 - 02/06	90 / 198	1 x RTV148 1 x RLT600 1 x QMHD05 1 x QMHD10 2 x QMW05

Rhino-Rack
 3 Pike Street, Rydalmere,
 NSW 2116, Australia.
 (Ph) (02) 9638 4744
 (Fax) (02) 9638 4822

Document No: R892
 Prepared By: Reg & Chris Murty
 Authorised By: Chris Murty

Issue No: 1
 Issue Date: 17/12/2015

These instructions remain the property of Rhinorack Australia Pty Ltd and may not be used or changed for any other purpose than intended.