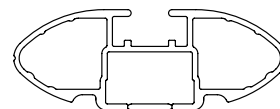
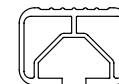




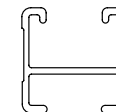
**CROSSBAR IDENTIFICATION**



**VA crossbar**



**EURO crossbar**



**HD crossbar**

Vehicle	Date	Crossbar	FRONT CROSSBAR					REAR CROSSBAR						
			Front Right Pad/Clamp	Front Left Pad/Clamp	Measurement strip length per side	Measurement strip length per side	Measurement Distance (x)	Foot plate arrow direction	Rear Right Pad/Clamp	Rear Left Pad/Clamp	Measurement strip length per side	Measurement strip length per side	Measurement Distance (x)	Foot plate arrow direction
Hyundai Elantra 4dr Sedan	16-	1180mm	M282 SUB0368	M281 SUB0368	203mm	148mm	974mm / 38,11/32"	IN	M284 SUB0368	M283 SUB0368	192mm	137mm	952mm / 37,1/2"	IN
	(USA) 17-		Pad Arrow Forward						Pad Arrow Forward					



# Rhino-Rack 2500 Series - DK461 instruction

**CONTROLLED**

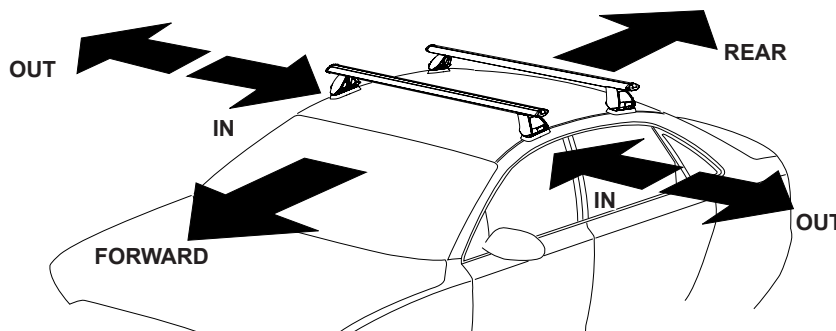
**Measurement A:** CENTRE of door jamb to CENTRE arrow of leg foot plate.

**Measurement B:** CENTRE of Front leg foot plate arrow to CENTRE of Rear leg foot plate arrow.

**Carrying capacity:** Roof rack is rated to 75kg. Please refer to manufacturers handbook for your vehicles maximum roof load capacity. Always use the lower of the two figures.

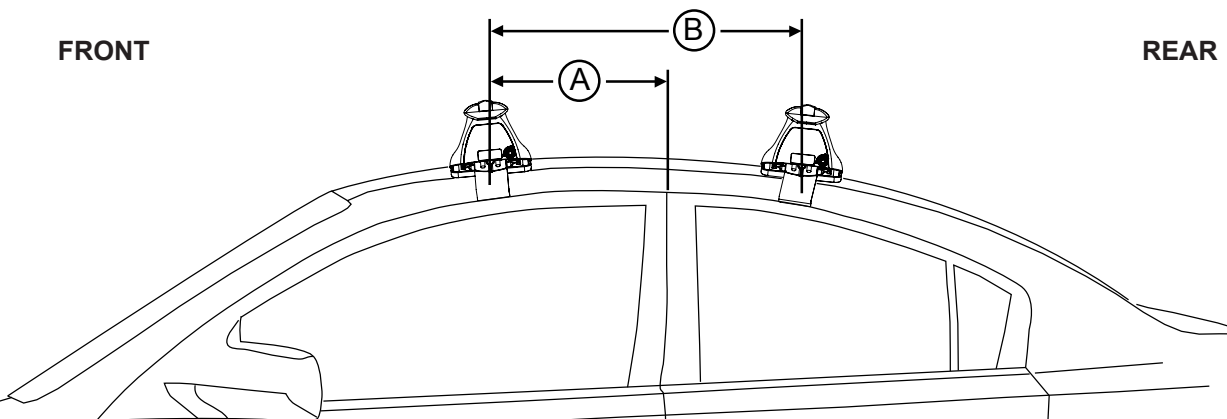
If your vehicle is not listed on this fitting instruction please refer to your countries Rhino-Rack web site for the latest information.

**Direction of Pad Arrow and Foot Plate Arrow, Refer Page 1.**



FRONT

REAR



VEHICLE	Date	Measurement A	Measurement B	Load Rating (includes racks 5kg/ 11lbs)
Hyundai Elantra 4dr Sedan	16-	290mm / 11,27/64"	700mm / 27,9/16"	75kg / 165lbs
	(USA) 17-			