



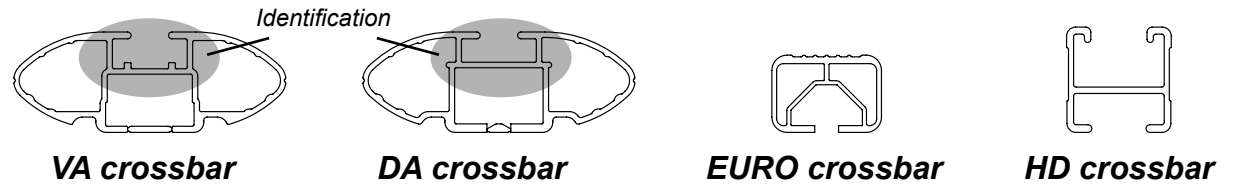
DK414 Rhino-Rack VA, DA, Euro & HD crossbar instruction

CONTROLLED

Load Rating: The roof rack is rated to 75kg/165lbs. Please refer to manufacturers handbook for your vehicles maximum roof load capacity. Always use the lower of the two figures.

If your vehicle is not listed on this fitting instruction please refer to your countries Rhino-Rack web site for the latest information.

IDENTIFICATION CHART



Document No: **R678**

Issue No: **1**

Issue Date: **2 Mar 2015**

Prepared by Kayle Everett

Authorised by Chris Murty

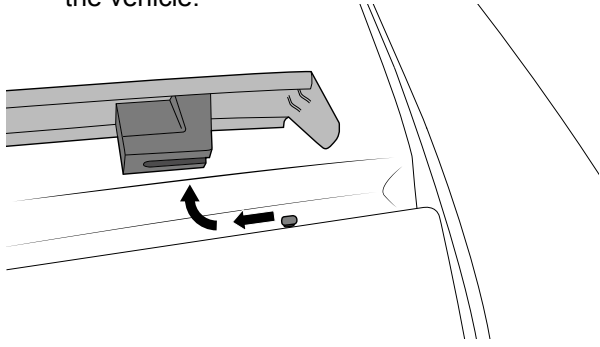
			FRONT CROSSBAR							REAR CROSSBAR						
Vehicle	Date	Crossbar	Front Right Pad	Front Left Pad	M6 Stud length (mm)	M6 Screw length (mm)	Measurement strip length per side	Measurement strip length per side	Measurement Distance (x)	Rear Right Pad	Rear Left Pad	M6 Stud length (mm)	M6 Screw length (mm)	Measurement strip length per side	Measurement strip length per side	Measurement Distance (x)
Honda Civic 20 5dr hatch	06/12-	1260mm	M473	M473	34	35	159mm	N/A	966mm / 38,1/32"	M473	M473	34	35	103mm	N/A	854mm / 33,5/8"



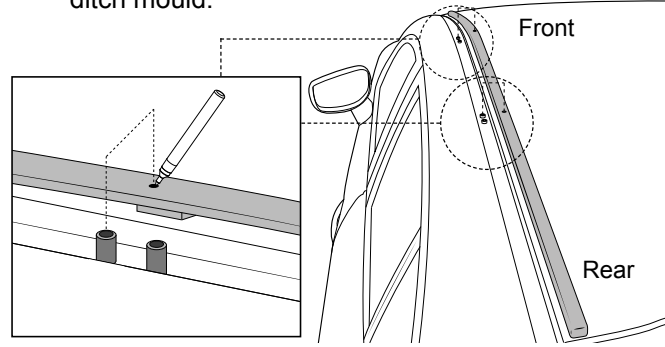
DK414 Rhino-Rack VA, DA, Euro & HD crossbar instruction

CONTROLLED

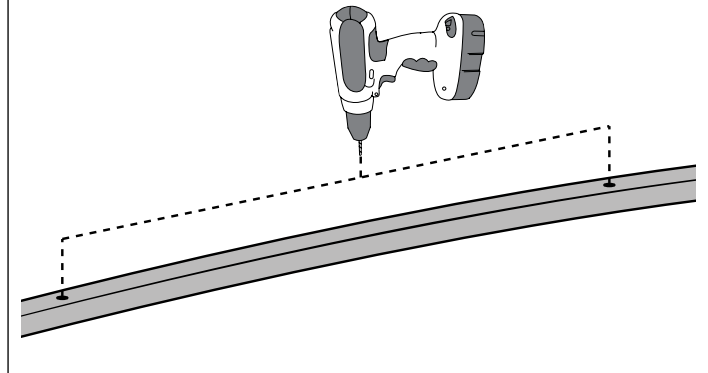
1 Move to the rear of the vehicle, locate the end of the roof ditch mould. Gently pull & slide the mould towards the front of the vehicle to release off a tab in the roof ditch. Carefully unclip and remove the fill as you work towards the front of the vehicle.



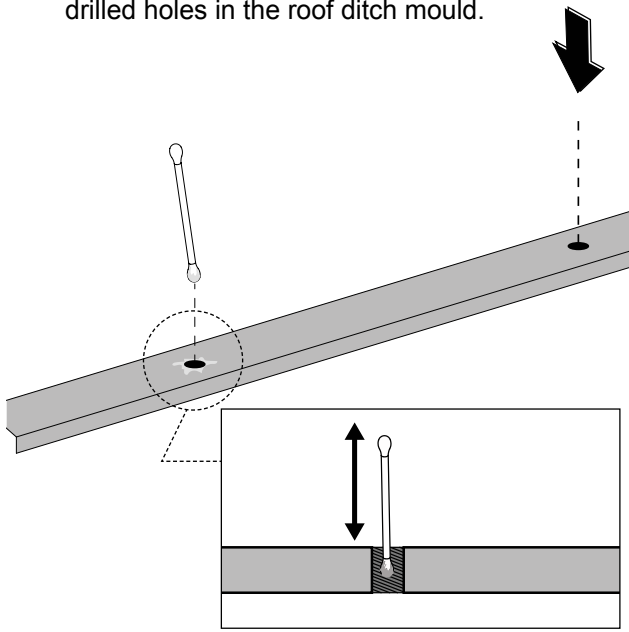
2 Lay the roof ditch mould on the roof adjacent to the roof ditch as shown. Mark the roof ditch mould in line with the mounting points found in the gutter. These are the two points found at approximately 355mm and 1080mm from the rear of the roof ditch mould.



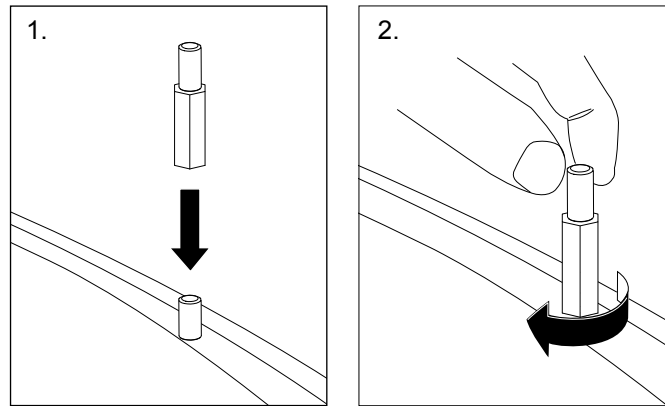
3 With the roof ditch mould now marked, drill a small pilot hole through using a 3-5mm bit then open the hole with a 13mm drill bit.



4 Use Cold Galvanising Paint to seal the newly drilled holes in the roof ditch mould.



5 Use a 10mm spanner to fasten the four hex studs onto the protruding M6 studs in the roof ditch. Do not over tighten.



6 Place the roof ditch mould back into the roof. Repeat previous steps for the opposing side of the vehicle.

