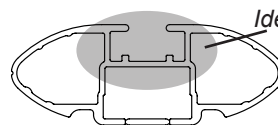


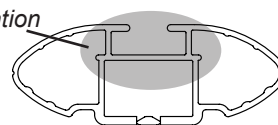


DK398 Rhino-Rack VA, DA, Euro & HD crossbar instruction

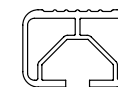
IDENTIFICATION CHART



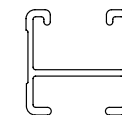
VA crossbar



DA crossbar



EURO crossbar



HD crossbar

		FRONT CROSSBAR						REAR CROSSBAR						
Vehicle	Date	Crossbar	Front Right Pad/ Clamp	Front Left Pad/ Clamp	Measurement strip length per side	Measurement strip length per side	Measurement Distance (x)	Foot plate arrow direction	Rear Right Pad/ Clamp	Rear Left Pad/ Clamp	Measurement strip length per side	Measurement strip length per side	Measurement Distance (x)	Foot plate arrow direction
Jeep Cherokee	2014 -	1375mm	M416	M416	154mm	99mm	1071mm / 42,11/64"	OUT	M368	M368	125mm	70mm	1013mm / 39,7/8"	OUT
			SUB0152	SUB0152					SUB0382	SUB0382				
			Pad Arrow OUT						Pad Arrow OUT					



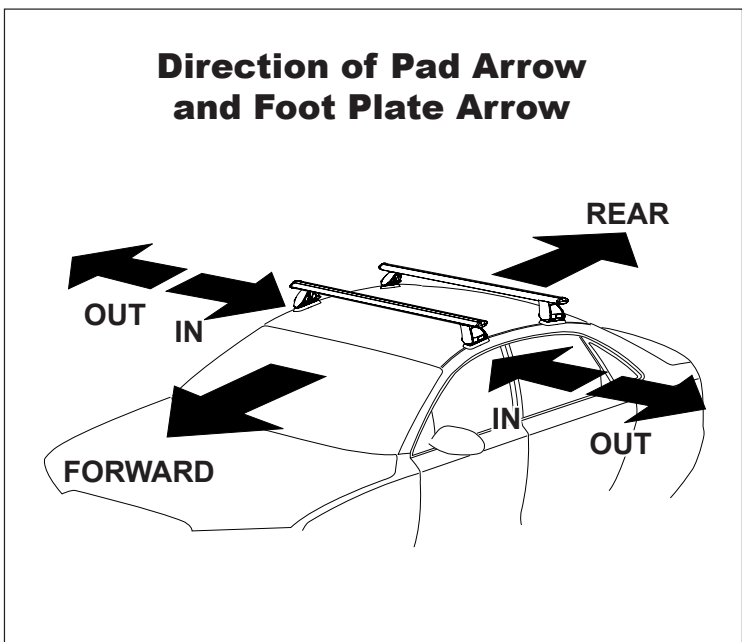
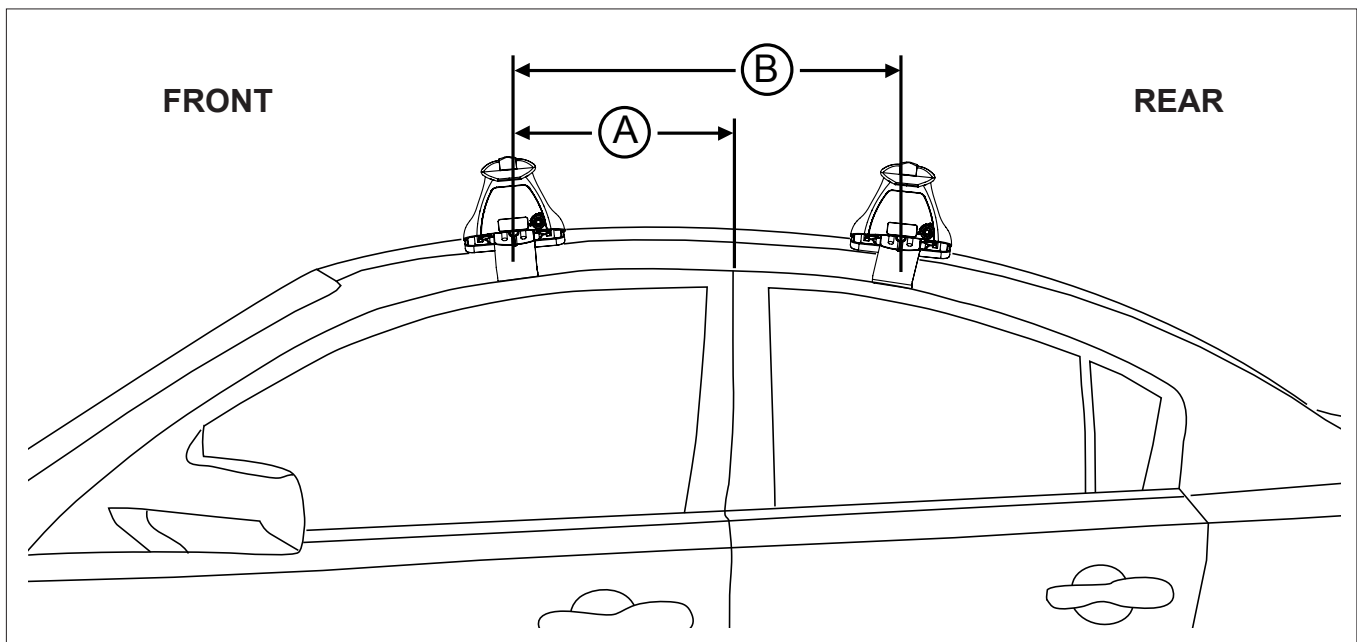
DK398 Rhino-Rack VA, DA, Euro & HD crossbar instruction

Measurement A: CENTRE of door jamb to CENTRE arrow of leg foot plate.

Measurement B: CENTRE of Front leg foot plate arrow to CENTRE of Rear leg foot plate arrow.

Carrying capacity: Roof rack is rated to 75kg. Please refer to manufacturers handbook for your vehicles maximum roof load capacity. Always use the lower of the two figures.

If your vehicle is not listed on this fitting instruction please refer to your countries Rhino-Rack web site for the latest information.



VEHICLE	Date	Measurement A	Measurement B	Load Rating (includes racks 5kg/ 11lbs)
Jeep Cherokee	2014 -	100mm / 3,15/16"	750mm / 29,17/32"	75kg / 165lbs