



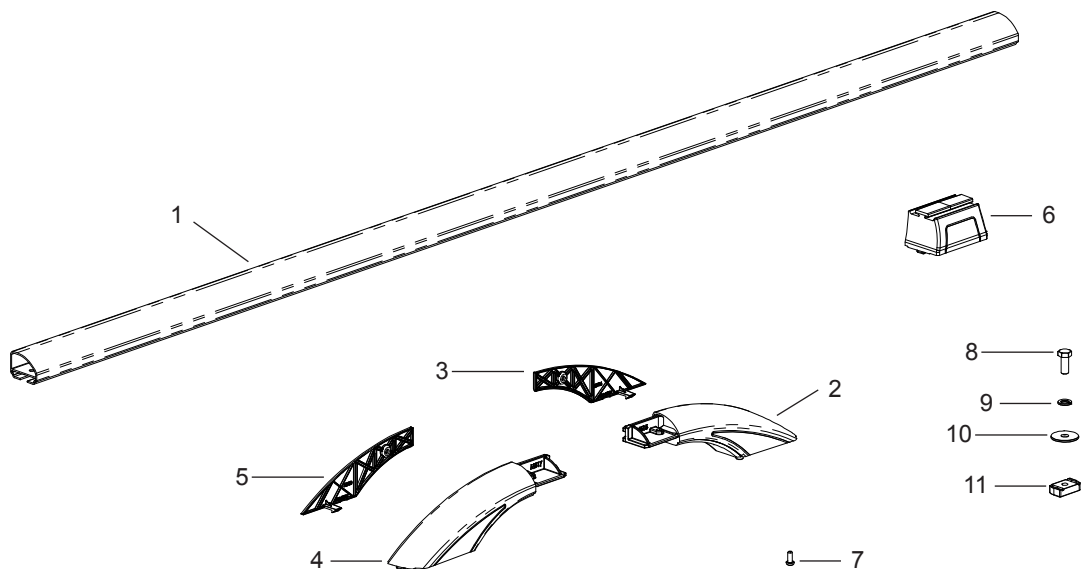
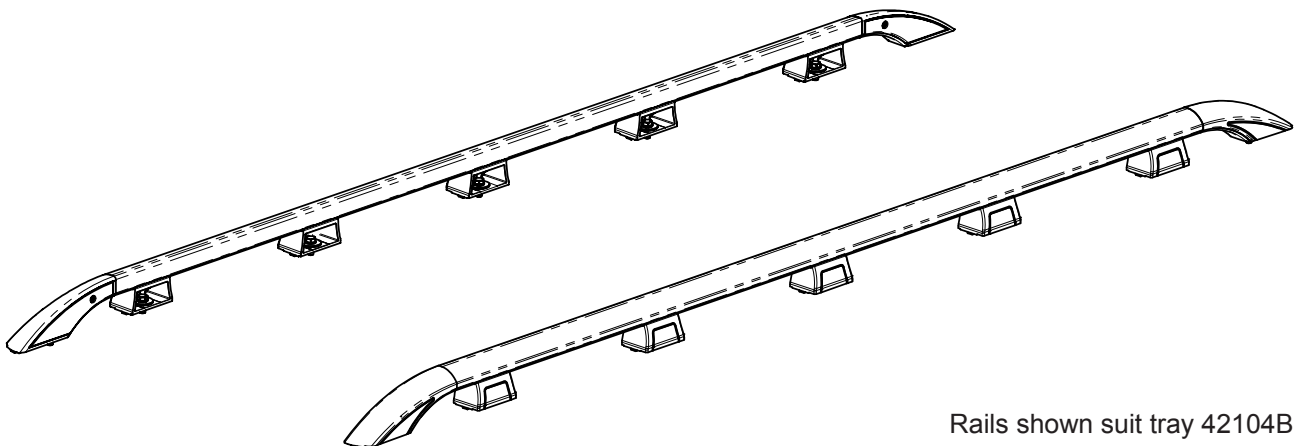
CONTROLLED

RHINO-RACK

Rhino Pioneer Side Rail Kit (43140B - 43149B & 43200B)

Place these instructions in the vehicle's glove box after installation is complete.

Important: Please read these instructions carefully prior to installation.
Please refer to your fitting instruction to ensure that the alloy tray is installed correctly.
Check the contents of this kit before commencing fitment and report any discrepancies.



Care Instruction

Clean alloy tray prior to fitting the Pioneer Rail Kit.

Tools Required

13mm Spanner, Phillips Screwdriver, Electric Drill,
5.5mm Drill Bit, Drop Saw or Hack Saw, File.

Rhino-Rack
3 Pike Street, Rydalmere,
NSW 2116, Australia.
(Ph) (02) 9638 4744
(Fax) (02) 9638 4822

Document No: R035
Prepared By: Nigel Greig
Authorised By: Chris Murty

Issue No: 06
Issue Date: 24/07/2015

These instructions remain the property of Rhinorack Australia Pty Ltd and may not be used or changed for any other purpose than intended.



Rhino Pioneer Side Rail Kit

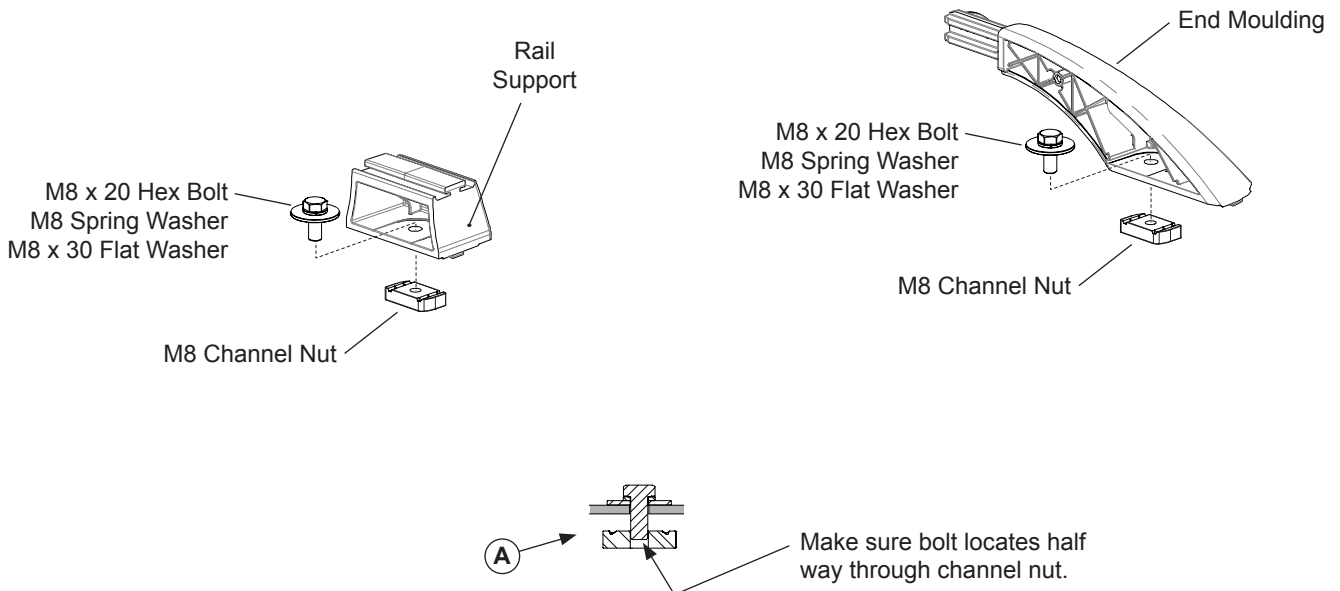
Item	Component Name	Part No.	Quantity										
			43140B	43141B	43142B	43143B	43144B	43145B	43146B	43147B	43148B	43149B	43200B
1	Rail Extrusion	-	2	2	2	2	2	2	2	2	2	2	2
2	End Moulding LH	M515	2	2	2	2	2	2	2	2	2	2	2
3	End Moulding LH Cover	M516	2	2	2	2	2	2	2	2	2	2	2
4	End Moulding RH	M517	2	2	2	2	2	2	2	2	2	2	2
5	End Moulding RH Cover	M518	2	2	2	2	2	2	2	2	2	2	2
6	Rail Support	M514	6	10	12	4	8	8	4	2	8	4	6
7	Phillips Screw	B176	8	8	8	8	8	8	8	8	8	4	4
8	M8 x 20mm Hex Bolt	B020	10	14	16	8	12	12	8	6	12	8	10
9	M8 Spring Washer	W019	10	14	16	8	12	12	8	6	12	8	10
10	M8 x 30mm Flat Washer	C949	10	14	16	8	12	12	8	6	12	8	10
11	M8 Channel Nut	N003	10	14	16	8	12	12	8	6	12	8	10
12	Fitting Instructions	R035	1	1	1	1	1	1	1	1	1	1	1
Suits Trays			42100B 42101B	42104B 42107B	42105B	42106B	42102B 42103B	42108B	42109B 42110B 42111B	42112B	42113B	42114B	42115B
Rail Length (mm)			900	1500	2100	372	1300	1200	700	300	1350	600	850



Rhino Pioneer Side Rail Kit

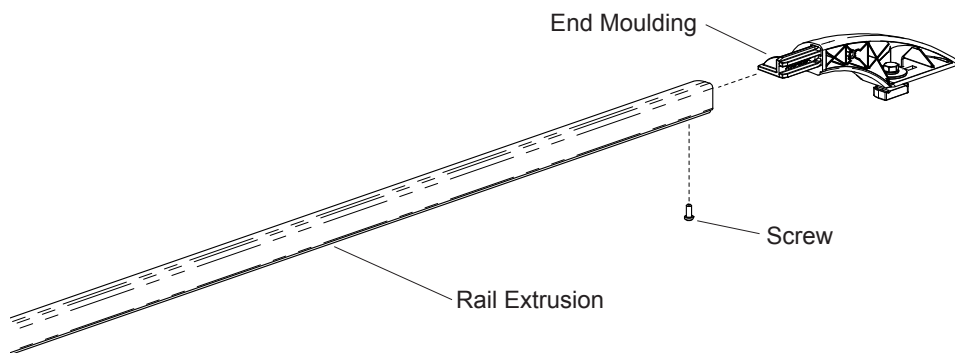
1 Fit Hardware to Mouldings

Loosely fit hardware to all the mouldings as shown. Be sure to set the bolts so they locate half way through the channel nut (see image A below).



2 Fit End Moulding to Rail

Fit one of the end mouldings to the rail extrusion as shown and fasten in place with screw provided in kit.

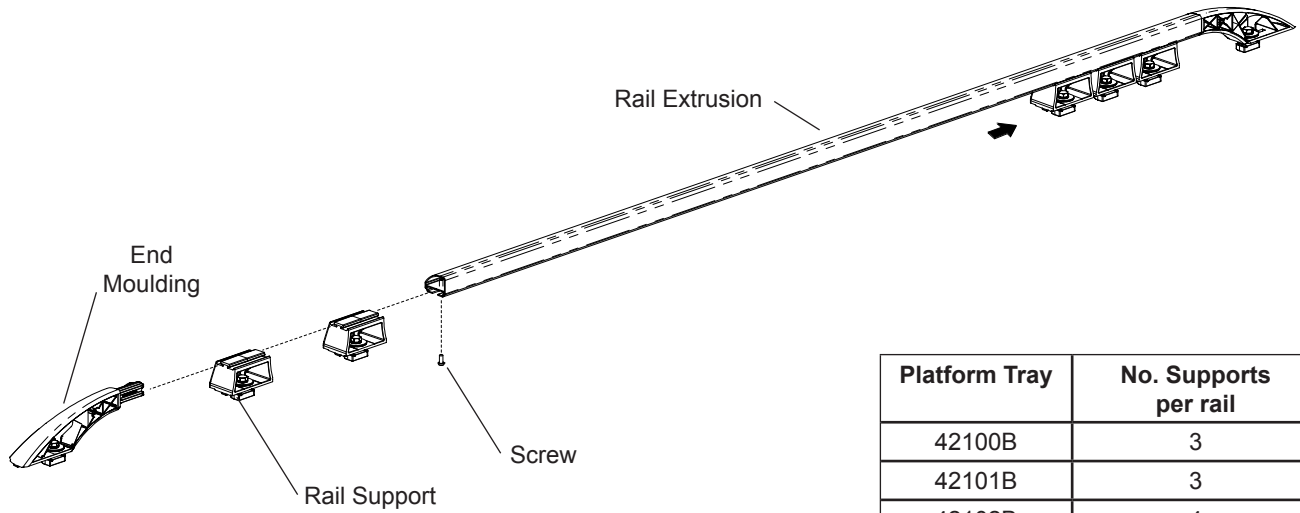




Rhino Pioneer Side Rail Kit

3 Fit Rail Support Mouldings to Rail

Slide the rail supports onto the rail extrusion as shown. Refer table below for the correct number of supports to suit your tray. Proceed to fit the end moulding and fasten in place with screw. Slide all the rail supports to one end of the rail.



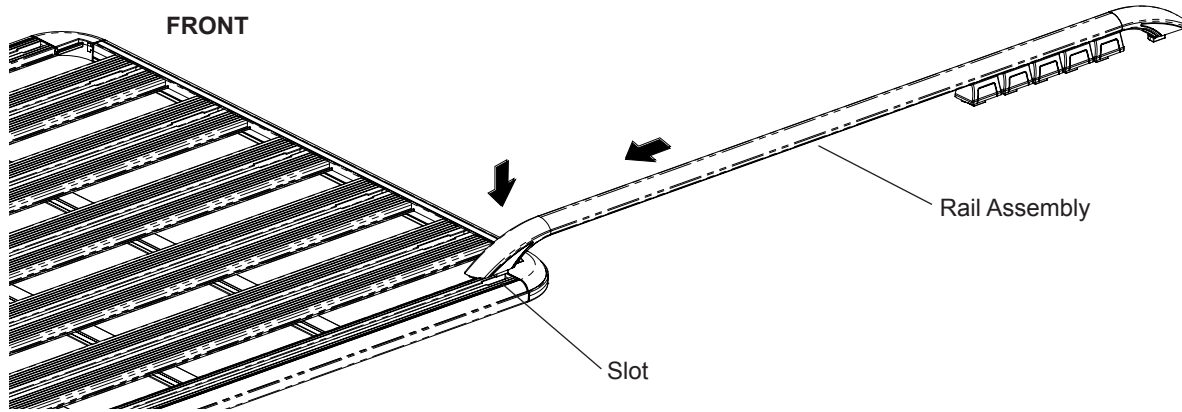
Platform Tray	No. Supports per rail
42100B	3
42101B	3
42102B	4
42103B	4
42104B	5
42105B	6
42106B	2
42107B	5
42108B	4
42109B	2
42110B	2
42111B	2
42112B	1
42113B	4
42114B	2
42115B	3



Rhino Pioneer Side Rail Kit

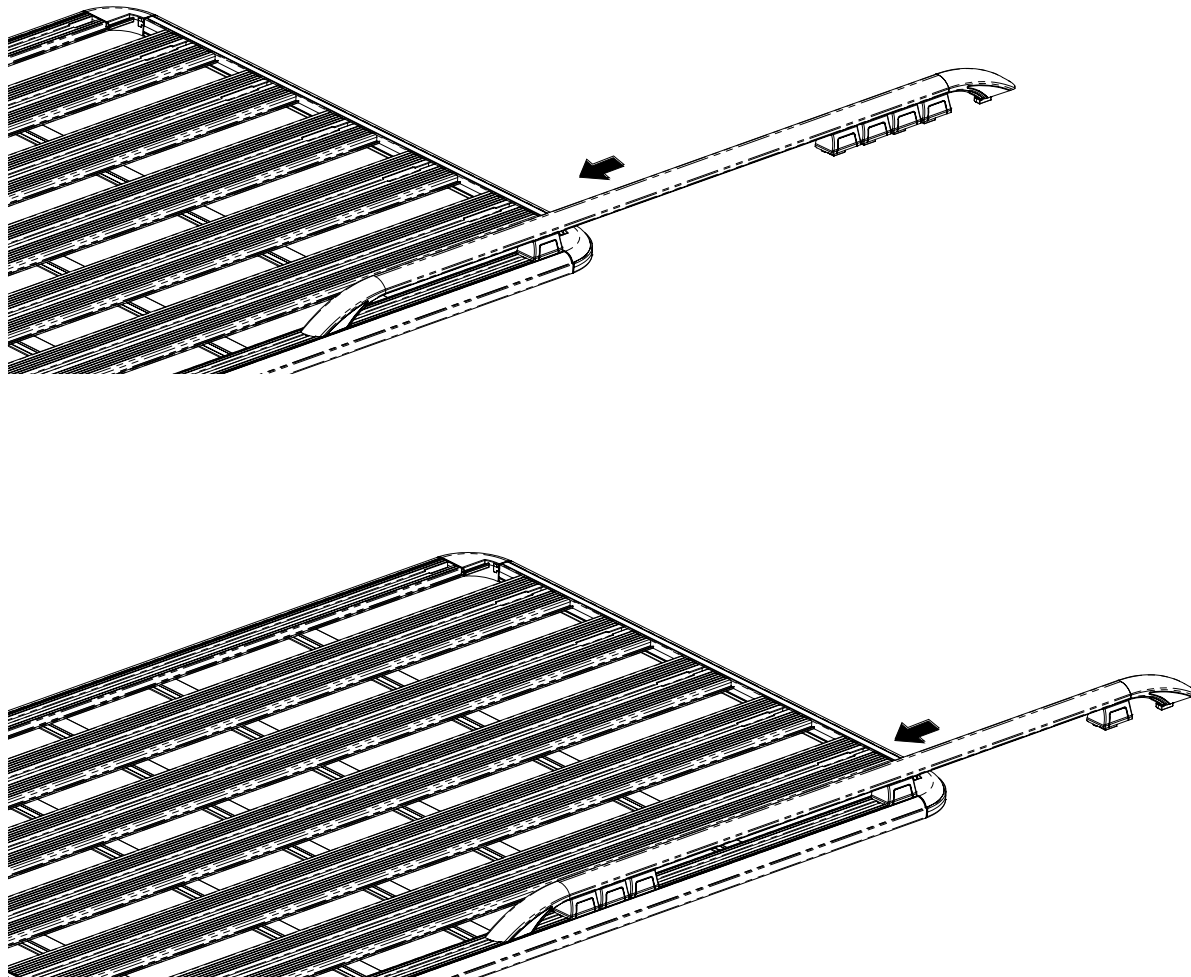
4 Insert First Channel Nut into Slot

Lower the rail assembly onto the tray so that the channel nut fitted to the end moulding locates within the slot in the front of the tray. Next slide the rail assembly onto the tray slightly so the nut engages in the channel.



5 Engage Side Supports

Lift the rail slightly and slide the first rail support so that the channel nut locates over the slot in the front of the tray. Lower the rail so the channel nut locates within the slot and slide the support all the way along the rail until it hits the end moulding. Repeat operation for remaining rail supports.

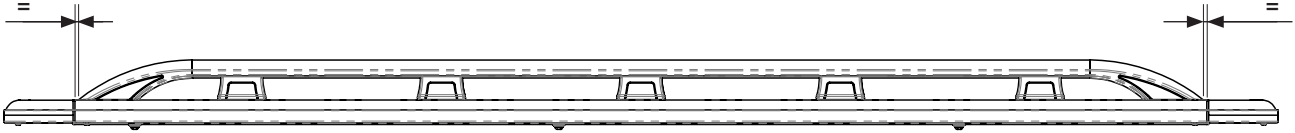




Rhino Pioneer Side Rail Kit

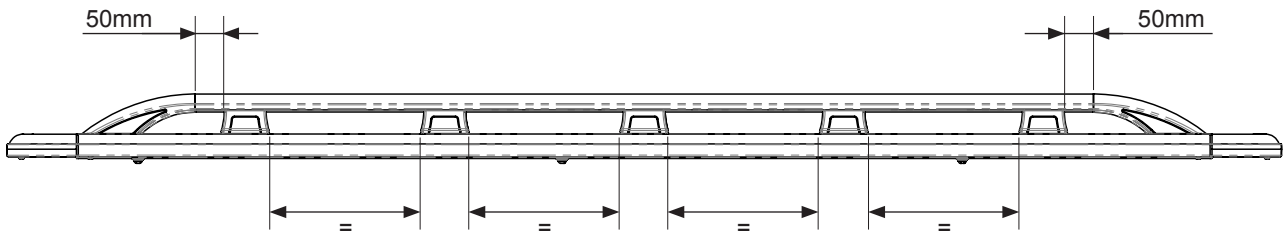
6 Engage End Moulding & Position Rail

Engage the end moulding in the same manner as before and position the rail on the tray as shown below with an even spacing at either end.



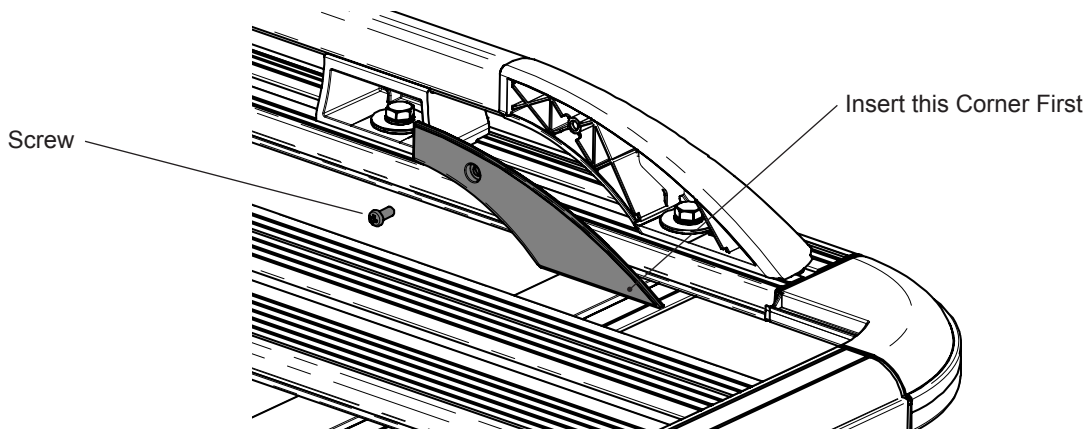
7 Position Rail Supports

Position the rail supports as shown below, tighten all bolts on the rail with a 13mm spanner.



8 Fit End Moulding Covers

Insert the bottom corner of the cover first, then snap the other end of the cover in place. Fasten the cover with the screw provided in kit. Repeat for cover at other end of rail.



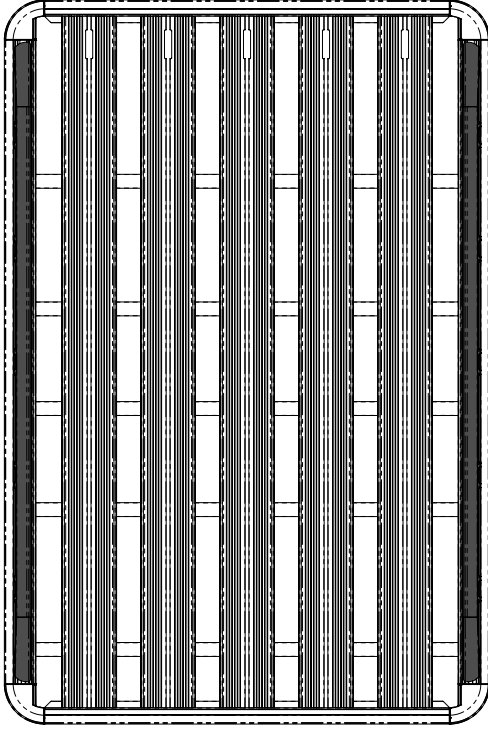
9 Repeat the process above to assemble and fit the second side rail assembly.



Rhino Pioneer Side Rail Kit

Fitment Options

FRONT



FRONT

