



**CONTROLLED**

# RHINO-RACK

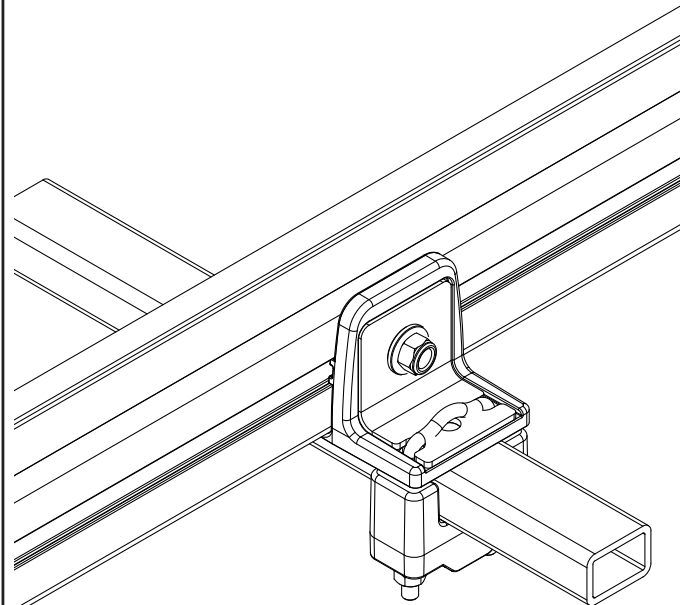
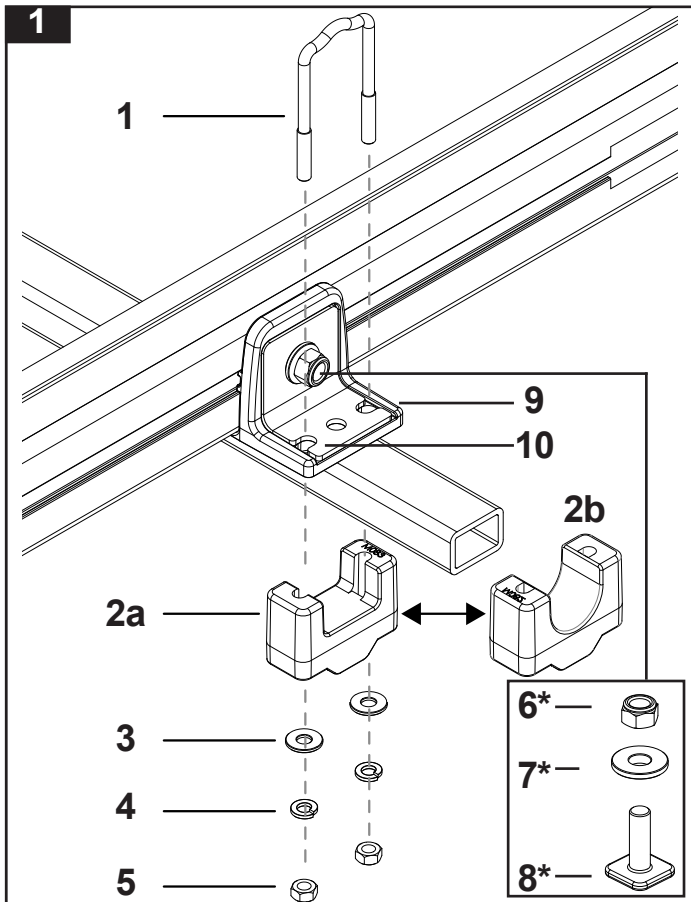
## Yakima Round and Thule Square Bar Fit Kit (32102)

Place these instructions in the vehicle's glove box after installation is complete.

**Important:** Please read these instructions carefully prior to installation.  
Check the contents of kit before commencing fitment and report any discrepancies

Item	Component Name	Qty	Part No.
1	M6 U-bolt	2	C064
2a	European Adapter Block	2	M083
2b	Yakima Adaptor Block	2	M082
3	M6 x 16mm Flat S/S Washer	4	W031
4	M6 Spring S/S Washer	4	W004
5	M6 Stainless Steel Nut	4	N056
6*	M8 x 20 T Bolt	2	B096
7*	M8 x 17 Flat Washer	2	W020
8*	M8 Nyloc Nut	2	N028
9	Sunseeker Plastic Mount Leg	2	C880
10	Sunseeker Steel Mount Leg Bracket	2	C879
11	Fitting Instructions	1	RR216

**2** \*Supplied in Sunseeker Awning Kit 32105 or 32108



Rhino-Rack  
3 Pike Street, Rydalmere,  
NSW 2116, Australia.  
(Ph) (02) 9638 4744  
(Fax) (02) 9638 4822

Document No: RR216  
Prepared By: Kayle Everett  
Authorised By: Chris Murty

Issue No: 03  
Issue Date: 22/07/2015